



TD-YZJ0701A

In-Ceiling Mounting Bracket

Features

- SECC & plastic material with surface spray treatment
- In-ceiling mounting bracket for cameras

Specifications

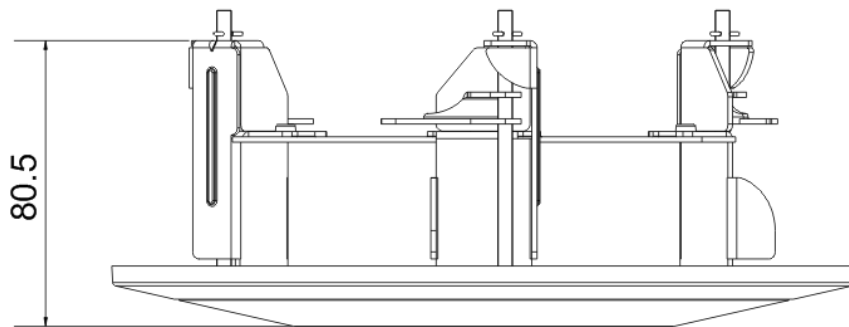
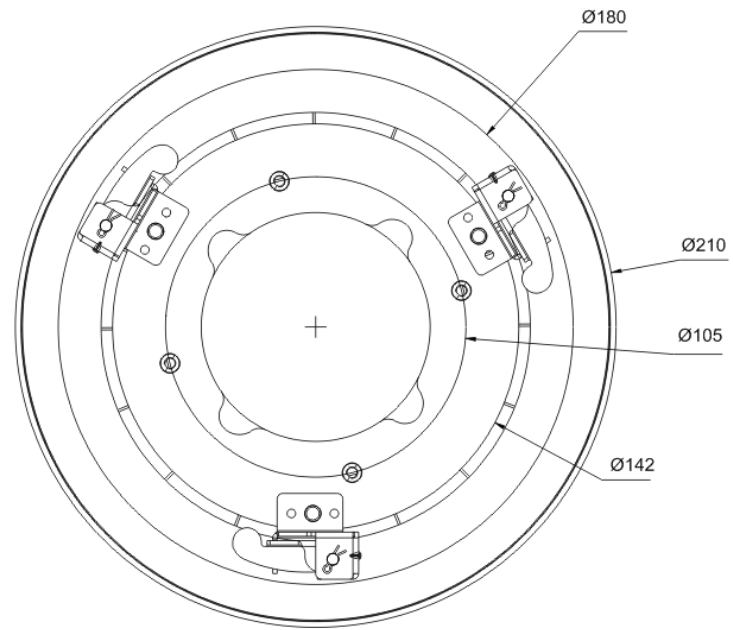
Model	HD-YZJ0701A
Material	SECC & Plastics
Color	White
Min. Packaging Quantity	4
Packing Size	550x280x320mm
Dimension	210x210x80.5
Net Weight	549g
Load Bearing	The wall must be strong enough to withstand at least 3 times the weight of the camera and the bracket.
Working Temperature	-40°C~+60°C(-40°F~+140°F)
Working Humidity	10% ~ 90%

Available Model

Available Model	HD-YZJ0701A	In-Ceiling mounting bracket
-----------------	-------------	-----------------------------

Dimensions

Unit: mm



Shenzhen TVT Digital Technology Co., LTD.

Address: 23rd Floor, Block B4, Building NO.9, Shenzhen Bay Eco-Technology Park, Nanshan District, Shenzhen, Guangdong Province, P.R. China

Tel: +86-755-36995888

Website: <http://en.tvt.net.cn>

Fax: +86-755-33104777

E-mail: overseas@tvt.net.cn