

iDS-2CD8C86G0-XZS(/5G)

8 MP DeepinView Multi-Lens Bullet Camera

DarkFighter



▪ DeepinView^{series}

- Adopt dual-channel design so you can get details in channel 1 and panorama in channel 2
- High quality imaging with 8 MP resolution in channel 1 and 4 MP resolution in channel 2
- Excellent low-light performance via DarkFighter technology
- Clear imaging against strong back light due to 120 dB WDR technology
- Efficient H.265+ compression technology to save bandwidth and storage
- Face detection supports up to 120 faces per frame
- Built-in high-efficient patent soft supplement light without light pollution, and ensure the face capture in night



▪ Specification

Camera	
Image Sensor	Channel 1: 1/1.2" Progressive Scan CMOS Channel 2: 1/1.8" Progressive Scan CMOS
Min. Illumination	Channel 1: Color: 0.0005 Lux @ (F1.2, AGC ON) B/W: 0.0001 Lux @ (F1.2, AGC ON), 0 Lux with IR Channel 2: Color: 0.0003 Lux @ (F1.0, AGC ON) B/W: 0.0001 Lux @ (F1.0, AGC ON), 0 Lux with IR
Shutter Speed	1/25 s to 1/100,000 s
Slow Shutter	Yes
Day & Night	Channel 1: IR cut filter Channel 2: No
Lens	
Lens Type	Channel 1: varifocal lens, motorized lens, 10 to 50 mm; Channel 2: fixed focal lens, 4 mm
Aperture	Channel 1: 10 to 50 mm: Constant F1.6 throughout the zoom range; Channel 2: 4 mm: F1.0
Focus	Channel 1: Auto, semi-auto, manual
Lens Type & FOV	Channel 1: 11 to 50 mm @F1.6, horizontal FOV 36° to 13.1°, vertical FOV: 20.3° to 7.3°, diagonal FOV 41° to 14.9° Channel 2: 4 mm @F1.0, horizontal FOV: 89°, vertical FOV: 46.5°, diagonal FOV: 105°
Lens Mount	Channel 1: CS Channel 2: M16
Iris Type	Channel 1: DC drive; Channel 2: Fixed
Illuminator	
Supplement Light Type	Hybrid (IR and White Light)
Smart Supplement Light	Yes
IR Wavelength	750 nm
Supplement Light Range	Channel 1: Face: 20 m, normal surveillance: 80 m Channel 2: Normal surveillance: 30 m
Video	
Max. Resolution	Channel 1: 3840 × 2160 Channel 2: 2560 × 1440
Main Stream	Channel 1: 50 Hz: 25 fps (3840 × 2160, 3072 × 1728, 2560 × 1440, 1920 × 1080, 1280 × 720) 60 Hz: 30 fps (3840 × 2160, 3072 × 1728, 2560 × 1440, 1920 × 1080, 1280 × 720) Channel 2: 50 Hz: 25 fps (2560 × 1440, 1920 × 1080, 1280 × 720) 60 Hz: 30 fps (2560 × 1440, 1920 × 1080, 1280 × 720)

Sub Stream	Channel 1: 50 Hz: 25 fps (704 × 576, 640 × 480) 60 Hz: 30 fps (704 × 480, 640 × 480) Channel 2: 50 Hz: 25 fps (704 × 576, 640 × 480) 60 Hz: 30 fps (704 × 480, 640 × 480)
Third Stream	Channel 1: 50 Hz: 25 fps (1920 × 1080, 1280 × 720, 704 × 576, 640 × 480) 60 Hz: 30 fps (1920 × 1080, 1280 × 720, 704 × 480, 640 × 480) Channel 2: 50 Hz: 25 fps (1920 × 1080, 1280 × 720, 704 × 576, 640 × 480) 60 Hz: 30 fps (1920 × 1080, 1280 × 720, 704 × 480, 640 × 480)
Fourth Stream	Channel 1: 50 Hz: 25 fps (1920 × 1080, 1280 × 720, 704 × 576, 640 × 480) 60 Hz: 30 fps (1920 × 1080, 1280 × 720, 704 × 480, 640 × 480) Channel 2: 50 Hz: 25 fps (1920 × 1080, 1280 × 720, 704 × 576, 640 × 480) 60 Hz: 30 fps (1920 × 1080, 1280 × 720, 704 × 480, 640 × 480)
Fifth Stream	Channel 1: 50 Hz: 25 fps (1920 × 1080, 1280 × 720, 704 × 576, 640 × 480) 60 Hz: 30 fps (1920 × 1080, 1280 × 720, 704 × 480, 640 × 480) Channel 2: 50 Hz: 25 fps (1920 × 1080, 1280 × 720, 704 × 576, 640 × 480) 60 Hz: 30 fps (1920 × 1080, 1280 × 720, 704 × 480, 640 × 480)
Video Compression	Main stream: H.265/H.264 Sub-stream: H.265/H.264/MJPEG Third stream: H.265/H.264 Fourth stream: H.265/H.264/MJPEG Fifth stream: H.265/H.264/MJPEG
Video Bit Rate	32 Kbps to 16 Mbps
H.264 Type	BasELine Profile/Main Profile/High Profile
H.265 Type	Main Profile
H.264+	Main stream supports
H.265+	Main stream supports
Bit Rate Control	CBR/VBR
Scalable Video Coding (SVC)	H.265 and H.264 support
Region of Interest (ROI)	4 fixed regions for each stream
Audio	
Environment Noise Filtering	Yes
Audio Sampling Rate	8 kHz/16 kHz/32 kHz/44.1 kHz/48 kHz
Audio Compression	G.711/G.722.1/G.726/MP2L2/PCM/AAC
Audio Bit Rate	64 Kbps (G.711)/16 Kbps (G.722.1)/16 Kbps (G.726)/32 to 192 Kbps (MP2L2)/16 to 64 Kbps (AAC)
Audio Type	Mono sound
Network	
Simultaneous Live View	Up to 20 channels

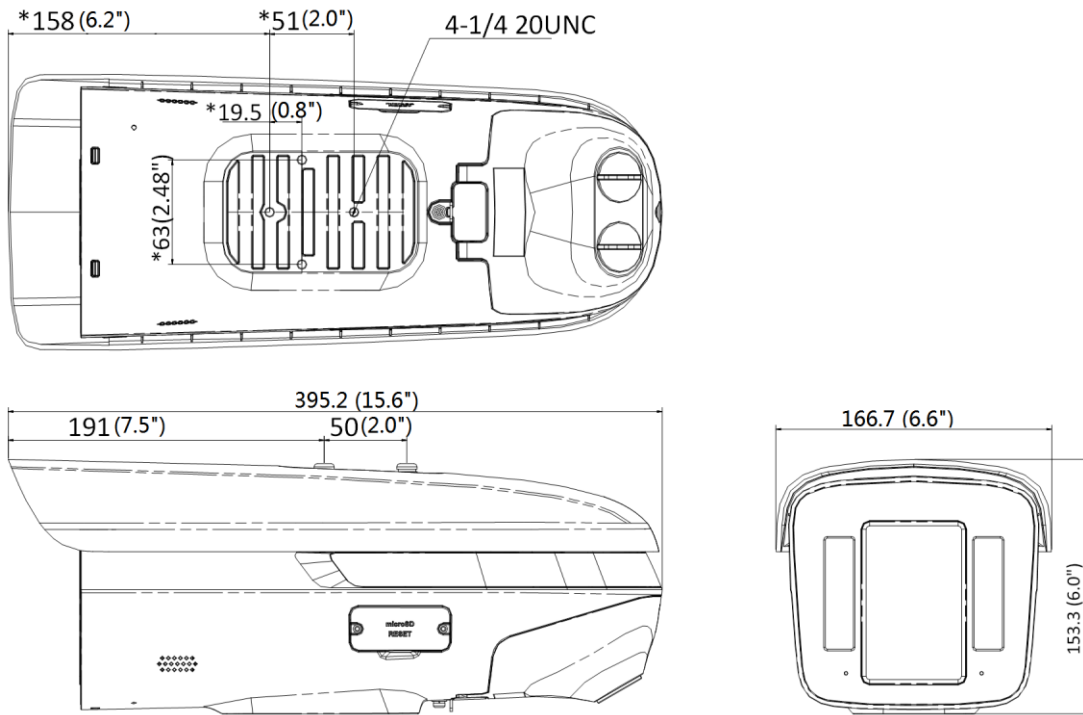
API	Open Network Video Interface (PROFILE S, PROFILE G, PROFILE T), ISAPI, SDK, ISUP
Protocols	TCP/IP, ICMP, HTTP, HTTPS, FTP, DHCP, DNS, DDNS, RTP, RTSP, RTCP, PPPoE, NTP, UPnP, SMTP, SNMP, IGMP, 802.1X, QoS, IPv6, UDP, Bonjour, SSL/TLS
User/Host	Up to 32 users. 3 user levels: administrator, operator and user
Client	iVMS-4200, Hik-Connect
Web Browser	Plug-in required live view: IE 8+, Chrome 41.0 to 44, Firefox 30.0 to 51, Safari 8.0 to 11 Plug-in free live view: Chrome 45.0+, Firefox 52.0+
Mobile Communication	
Standard	/5G model: 5G NR/LTE-FDD/LTE-TDD/LAA/WCDMA
Frequency	/5G model: 5G NR: n41/n77/n78/n79 LTE-FDD: B1/B3/B5/B8 LTE-TDD: B38/39/B40/B41
SIM Card Type	/5G model: Micro SIM
Image	
Wide Dynamic Range (WDR)	120 dB
Privacy Mask	4 programmable polygon privacy masks
Day/Night Switch	Day/Night/Auto/Schedule/Triggered by Alarm In
Target Cropping	Yes
Picture Overlay	LOGO picture can be overlaid on video with 128 × 128 24bit bmp format
Image Enhancement	BLC, HLC, 3D DNR, Defog, EIS
Image Parameters Switch	Yes
Image Settings	Saturation, brightness, contrast, sharpness, AGC, white balance adjustable by client software or web browser
Interface	
Alarm	3 inputs, 2 outputs (max. 24 VAC or 24 VDC, 1 A)
Ethernet Interface	1 RJ45 10 M/100 M/1000 M self-adaptive Ethernet port
Audio	2 inputs (line in), 3.5 mm connector, max. input amplitude: 3.3 vpp, input impedance: 4.7 K Ω , interface type: non-equilibrium; 1 output (line out), 3.5 mm connector, max. output amplitude: 3.3 vpp, output impedance: 600 Ω , interface type: non-equilibrium
RS-485	1 RS-485 (half duplex, HIKVISION, Pelco-P, Pelco-D, self-adaptive)
Built-in Microphone	Yes, two built-in microphone(s)
Built-in Speaker	Yes
Video Output	1 Vp-p Composite Output (For debugging only)
On-board Storage	Built-in micro SD/SDHC/SDXC slot, up to 256 GB
Reset Key	Yes
Power Output	12 VDC, max. 200 mA (supported by all power supply types)
Heater	Yes
Event	
Basic Event	Motion detection, video tampering alarm, network disconnected, IP address conflict, illegal login, HDD full
Linkage	Upload to FTP/NAS/memory card, notify surveillance center, send email, trigger alarm output, trigger recording, trigger capture

Smart Event	Line crossing detection, intrusion detection, region entrance detection, region exiting detection, unattended baggage detection, object removal detection, scene change detection, audio exception detection, defocus detection
Deep Learning Function	
Multi-target-type Detection	Supports simultaneous detection of human body, face, and non-motor vehicle Gets 8 face features and 13 human body features
Face Comparison	Up to 10 face libraries. 150,000 faces for each library. 150,000 faces in total. , Recognizes face identity via face modeling, grading and comparing to those in face library, Supports face library encryption
Face Capture	Face detection performance: Detects up to 120 faces simultaneously Face detection angle: Swing left and right from -60° to 60°, tilt up and down from -30° to 30° Upload face with background (1080p/720p) and closed-up face pictures
People Counting	Yes
Face Recognition	Detects, captures and selects best human face pictures Recognizes face identity via face modeling, grading and comparing to those in face library Up to 10 face libraries, up to 150000 faces, and each face library is configurable Face library encryption: the camera chip has a hardware encryption module to protect data
General	
Power	24 VAC ± 20%, 2.42 A, max. 42.3 W, two-core terminal block
General Function	One key reset, heartbeat, mirror, password protection, privacy mask, watermark, IP address filter, flash log, conreol time out
Storage Conditions	-30 °C to 60 °C (-22 °F to 140 °F). Humidity 95% or less (non-condensing)
Startup and Operating Conditions	-30 °C to 60 °C (-22 °F to 140 °F). Humidity 95% or less (non-condensing)
Material	Metal & Plastic
Camera Dimension	395.2 mm × 166.7 mm × 153.3 mm (15.6" × 6.6" × 6.0")
Package Dimension	518 mm × 356 mm × 260 mm (20.4" × 14.0" × 10.2")
Camera Weight	Approx. 4 kg (8.8 lb.)
With Package Weight	Approx. 6.495 kg (14.3 lb.)
Approval	
Protection	IP66: IEC 60529-2013

▪ Available Model

iDS-2CD8C86G0-XZS/5G (10 to 50 mm/4 mm)

▪ **Dimension**



Unit: mm(inch)

▪ **Accessory**

▪ **Optional**

DS-1269ZJ-P	DS-1214ZJ-P	DS-2204ZJ-P
Pendant Mount	Horizontal Pole Mount	Wall Mount
		

Distributed by

**HIKVISION®****Headquarters**

No.555 Qianmo Road, Binjiang District,
Hangzhou 310051, China
T +86-571-8807-5998
overseasbusiness@hikvision.com

Hikvision USA
T +1-909-895-0400
sales.usa@hikvision.com

Hikvision Australia
T +61-2-8599-4233
salesau@hikvision.com

Hikvision India
T +91-22-28469900
sales@pramahikvision.com

Hikvision Canada
T +1-866-200-6690
sales.canada@hikvision.com

Hikvision Thailand
T +662-275-9949
sales.thailand@hikvision.com

Hikvision Europe
T +31-23-5542770
sales.eu@hikvision.com

Hikvision Italy
T +39-0438-6902
info.it@hikvision.com

Hikvision Brazil
T +55 11 3318-0050
Latam.support@hikvision.com

Hikvision Turkey
T +90 (216)521 7070- 7074
sales.tr@hikvision.com

Hikvision Malaysia
T +601-7652-2413
sales.my@hikvision.com

Hikvision UK & Ireland
T +01628-902140
sales.uk@hikvision.com

Hikvision South Africa
Tel: +27 (10) 0351172
sale.africa@hikvision.com

Hikvision France
T +33(0)1-85-330-450
info.fr@hikvision.com

Hikvision Kazakhstan
T +7-727-9730667
nikia.panfilov@hikvision.ru

Hikvision Vietnam
T +84-974270888
sales.vt@hikvision.com

Hikvision UAE
T +971-4-4432090
salesme@hikvision.com

Hikvision Singapore
T +65-6684-4718
sg@hikvision.com

Hikvision Spain
T +34-91-737-16-55
info.es@hikvision.com

Hikvision Tashkent
T +99-87-1238-9438
uzb@hikvision.ru

Hikvision Hong Kong
T +852-2151-1761
info.hk@hikvision.com

Hikvision Russia
T +7-495-669-67-99
saleru@hikvision.com

Hikvision Korea
T +82-(0)31-731-8817
sales.korea@hikvision.com

Hikvision Poland
T +48-22-460-01-50
info.pl@hikvision.com

Hikvision Indonesia
T +62-21-2933759
Sales.Indonesia@hikvision.com

Hikvision Colombia
sales.colombia@hikvision.com