



## Gryphon-GQ35L Handheld Thermal Monocular Camera



HIKMICRO GRYPHON GQ35L handheld thermal monocular camera is equipped with a 640 × 512 infrared detector, a 1920 × 1080 Low illumination optical detector and a 1024 × 768 OLED display. It supports functions of observation, Wi-Fi hot spot, hot tracking, bi-spectrum image fusion, laser distance measurement, and so on. The monocular is mainly applied to scenarios such as hunting, hiking and travel, searching and rescuing, etc.

### Key Features

#### Thermal

- 640 × 512 resolution, high sensitivity detector, contrast adjustment
- 3D DNR
- 35 mm lens

#### Optical

- Low-light-level detector
- 1920 × 1080 resolution

#### Display

- 0.39 inch OLED display
- 1024 × 768 resolution
- Thermal, optical and fusion modes

#### Battery

- One replaceable HIKMICRO battery
- 4.5 hours continuous running with CVBS, Wi-Fi hot spot function off (@25°C)

#### Function

- Wi-Fi hot spot
- Built-in EMMC v5.1 Interface with large memory (16 GB), support picture snapshot and video
- Recording
- Digital zoom
- Precision laser rangefinder
- Type-C Interface
- Control knob

## ▪ Specification

| <b>Thermal Module</b>            |  |
|----------------------------------|--|
| Image Sensor                     | VOx Uncooled Focal Plane Arrays                                  |
| Max. Resolution                  | 640 × 512  |
| Frame Rate                       | 50 Hz  |
| Pixel Interval                   | 12 μm  |
| Response Waveband                | 8 μm to 14 μm  |
| NETD                             | <35 mK (@25°C, F# = 1.0)   |
| Lens (Focal Length)              | 35 mm  |
| Detection Range                  | 1800 m   |
| Focus Mode                       | Manual   |
| Field of View                    | 10.97° × 8.82° (H × V)   |
| Min. Focusing Distance           | 3 m  |
| Aperture                         | F1.0   |
| Magnification                    | 2.0  |
| Digital Zoom                     | 1 ×, 2 ×, 4 ×, 8 ×   |
| <b>Optical Module</b>            |  |
| Image Sensor                     | 1/2" Progressive Scan CMOS                                       |
| Focal Length                     | 22 mm  |
| Wavelength                       | 400 nm to 1000 nm  |
| Max. Resolution                  | 1920 × 1080  |
| Min. Illumination                | 0.001 Lux @ F1.0   |
| <b>Image Display</b>             |  |
| Frame Frequency                  | 50 Hz  |
| Display                          | 0.39 inch, OLED, 1024 × 768                                      |
| Image Mode                       | White Hot, Black Hot, Red Hot, Fusion, Visible, Image Fusion     |
| FFC (Flat Field Correction) Mode | Auto, Manual, External Correction                                |
| <b>Smart Function</b>            |  |
| Hot Spot                         | Yes  |
| Hot Track                        | Yes  |
| Distance Measurement             | Yes  |
| Standby Mode                     | Yes  |
| <b>System</b>                    |  |
| Record Video                     | Yes  |
| Capture Snapshot                 | Yes  |
| Built-in Memory                  | 16 GB  |
| <b>Power Supply</b>              |  |
| Battery Type                     | One 18650 battery  |
| Power                            | Removable Battery  |
| Battery Operating Time           | 4.5 hours  |
| <b>General</b>                   |  |
| Protection Level                 | IP67   |
| Dimension                        | 87.2 mm × 73.3 mm × 167.8 mm (3.43 inch × 2.88 inch × 6.61 inch) |
| Weight                           | 510 g  |
| Working Temperature              | -30 to 55°C  |
| Eye-Relief                       | 19.5 mm  |

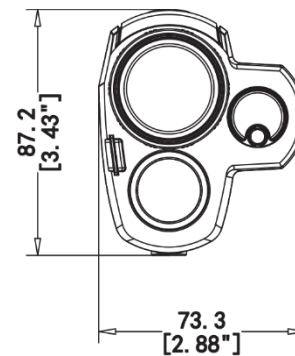
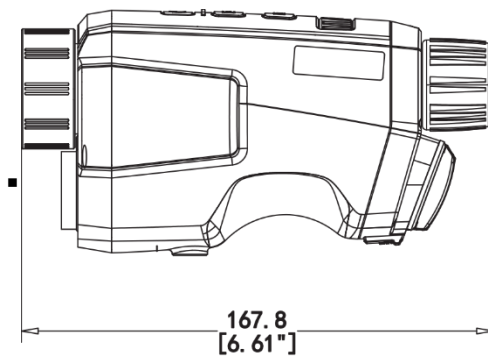
### Laser Rangefinder

|                        |         |
|------------------------|---------|
| Safety Class for Laser | Class 1 |
| Wavelength             | 905 nm  |
| Max. Measuring Range   | 600 m   |
| Measurement Accuracy   | ± 1 m   |

### ▪ Available Model

GQ35L

### ▪ Dimension



Unit: mm [inch]

COMPLIANCE NOTICE: The thermal series products might be subject to export controls in various countries or regions, including without limitation, the United States, European Union, United Kingdom and/or other member countries of the Wassenaar Arrangement. Please consult your professional legal or compliance expert or local government authorities for any necessary export license requirements if you intend to transfer, export, re-export the thermal series products between different countries.

