

DS-UPS1200-R UPS



- Built-in AVR
- Super fast charging
- Wide input voltage range
- Overload protection
- Short circuit protection
- Surge protection

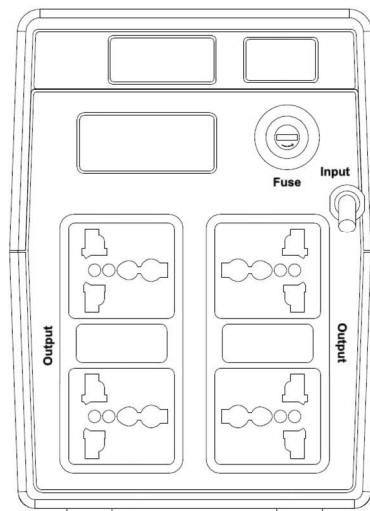
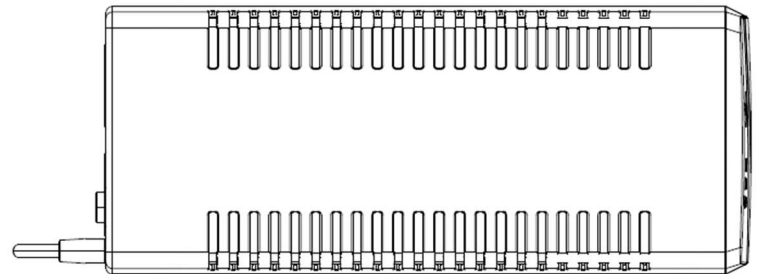
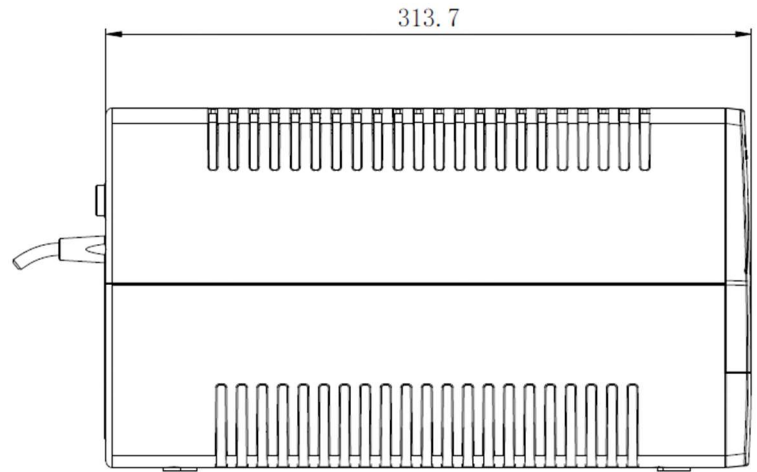
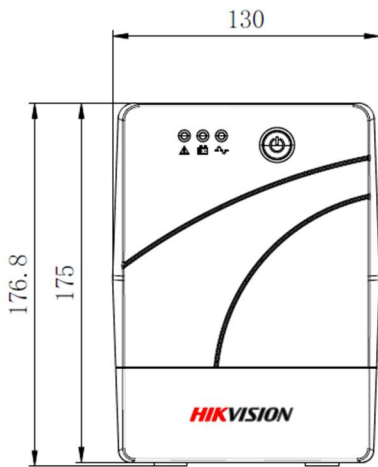
▪ Specification

Power	
UPS Capacity	1200 VA / 720 W
Input	
Input Voltage Range	140 VAC to 300 VAC
Input Frequency	50/60 Hz self-adaptive
Plug Type	Schuko
Output	
Output Voltage Range	230VAC ± 10%
Output Frequency	50/60 Hz ± 0.5 Hz self-adaptive
Transfer Time	≤ 10 ms
Waveform	Simulated Sine wave
Outlet Type	Universal
Outlet Number	4
Battery	
Battery Type	12 V/7 Ah x 2, lead-acid battery
Recharge Time	6-8 hours recover to 90% capacity
Typical Backup Time	Run time at 200w: 20-25 min
Interface	
Communicate Ports	No
Protection	
Full Protection	Surge protection, Overload protection, Discharge protection, Short circuit protection
Indicator	
Display	LED indicator Line mode: Solid green led lighting Battery mode: Solid yellow led flash Fault mode: Solid red led lighting
Alarm	Battery mode: Sounding every 10 seconds. Low battery : Sounding every second. Over load : Sounding every 0.5 seconds. Fault: Continuously sounding.
General	
Operating Temperature	0 °C to 40 °C (32 °F to 104 °F)
Operating Humidity	0% to 90% (non-condensing)
Dimension	313.7 mm × 130 mm × 176.8 mm (12.35" × 5.12" × 6.96")
Weight	8.4kg

▪ Available Model

DS-UPS1200-R

▪ Dimension



Headquarters

No.555 Qianmo Road, Binjiang District,
Hangzhou 310051, China
T +86-571-8807-5998
www.hikvision.com



Follow us on social media to get the latest product and solution information.

