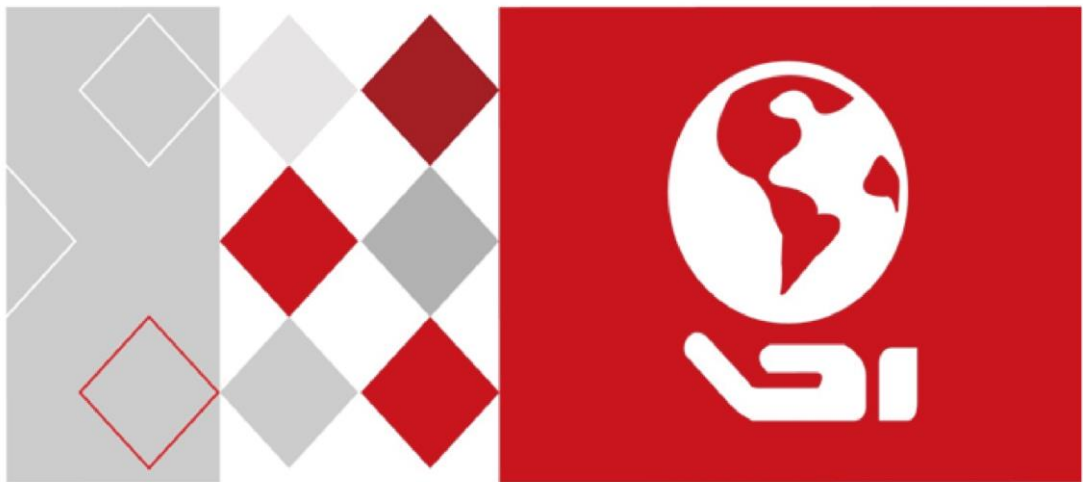


# **HIKVISION**



## **2-Wire Video Intercom Bundle**

User manual

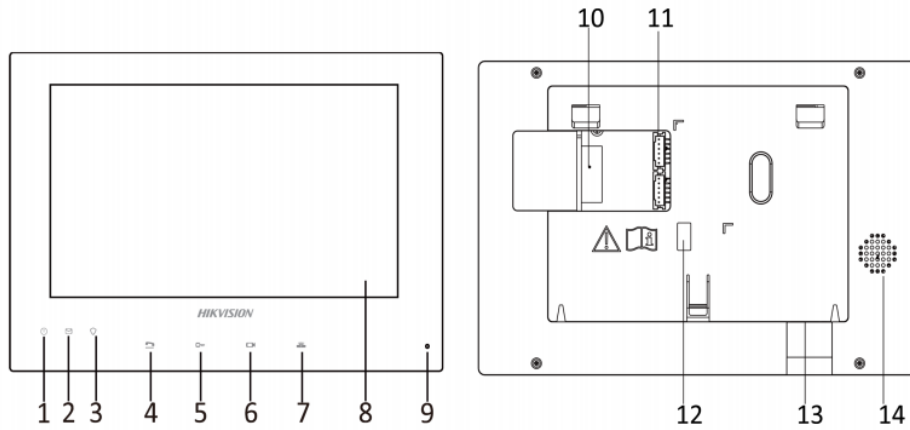


# CONTENT

1 Appearance Description .....	3
1.1 Indoor Station .....	3
1.2 Door Station .....	3
1.3 Video/Audio Distributor .....	4
2 Installation.....	4
2.1 System Frame .....	4
2.2 Door Station installation .....	5
2.2.1 surface mounting .....	5
2.2.2 Flush mounting.....	6
2.2.3 Shield mounting .....	7
2.3 Indoor Station installation.....	7
2.4 Distributor installation .....	8
2.4.4 Fix with screw .....	8
2.4.5 Fix with DIN rail .....	8
3 Configuration.....	9
4 APP connection .....	11
4.1.1 Set up the App.....	11
4.1.2 Add Device .....	12
TECHNICAL SUPPORT .....	12

# 1 Appearance Description

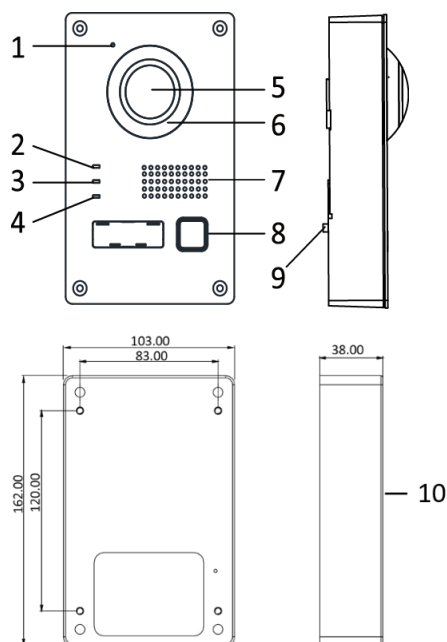
## 1.1 Indoor Station



No.	Description
1	Power Supply Indicator
2	Information Indicator
3	Alarm Indicator
4	Call Accept/Decline Key
5	Unlock Key
6	Live View Key
7	Management Center Key

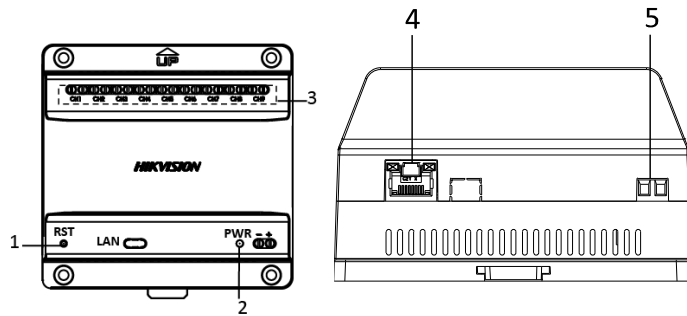
No.	Description
8	LCD Display Screen
9	Microphone
10	Two-Wire Interface
11	Interface
12	Serial Port
13	TF Card Slot(32G Max)
14	Loudspeaker

## 1.2 Door Station



No.	Description
1	Microphone
2	Calling Indicator
3	Speaking Indicator
4	Open Door Indicator
5	Built-in Camera
6	Supplement Light
7	Loudspeaker
8	Call Button
9	Tamper Button
10	Gang Box

### 1.3 Video/Audio Distributor



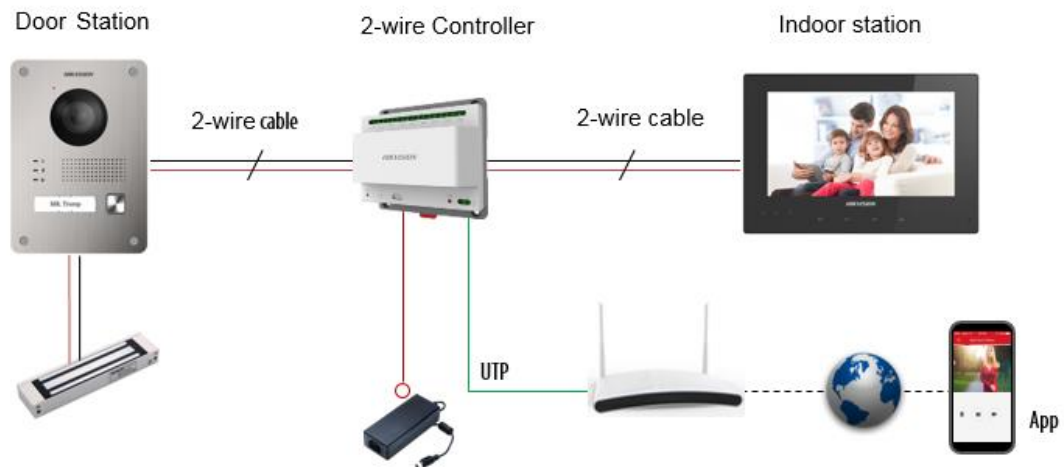
No.	Description
1	Reset Button
2	Power Indicator
3	Two-Wire Interface
4	RJ-45 Interface
5	Power Supply port



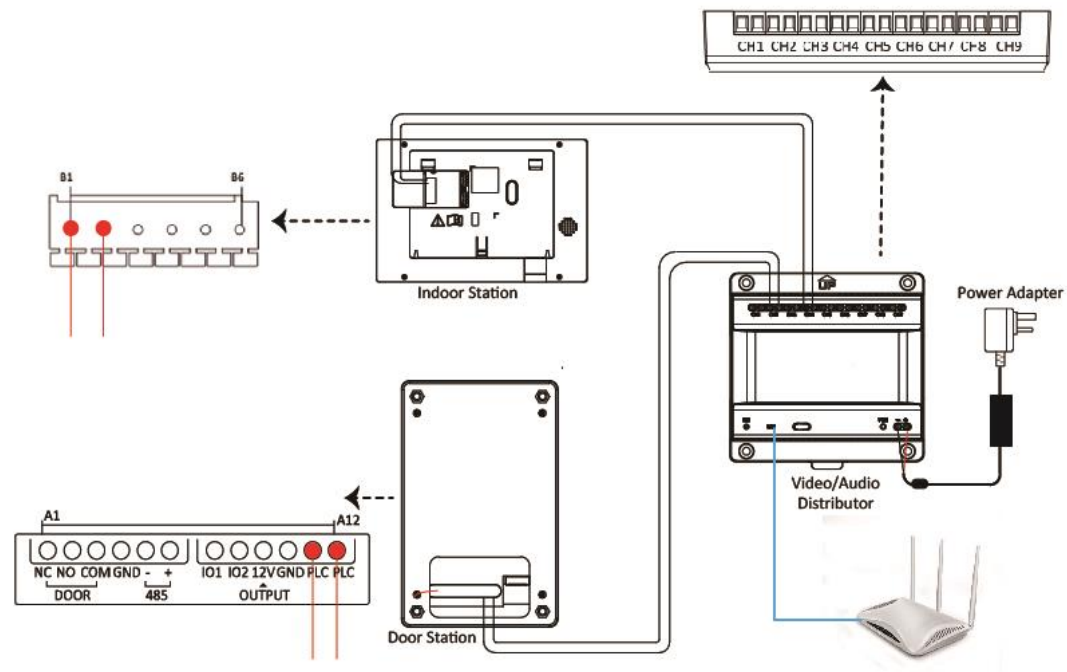
- The calling indicator turns yellow when calling.
- The speaking indicator turns red when speaking.
- The open door indicator turns blue when the door opening.
- The captured pictures and messages are stored in SD card which you should inset in advance.
- Support 32G max micro SD card of the main indoor station, do not support hot-swap.
- With EU standard power adapter(24VDC,2.5A) in the package which can support one door station and one main indoor stations with 3 indoor extensions max, for more indoor extensions(5 extensions max) , you can purchase the specific power adapter with the specification 24VDC,4A.

## 2 Installation

### 2.1 System Frame



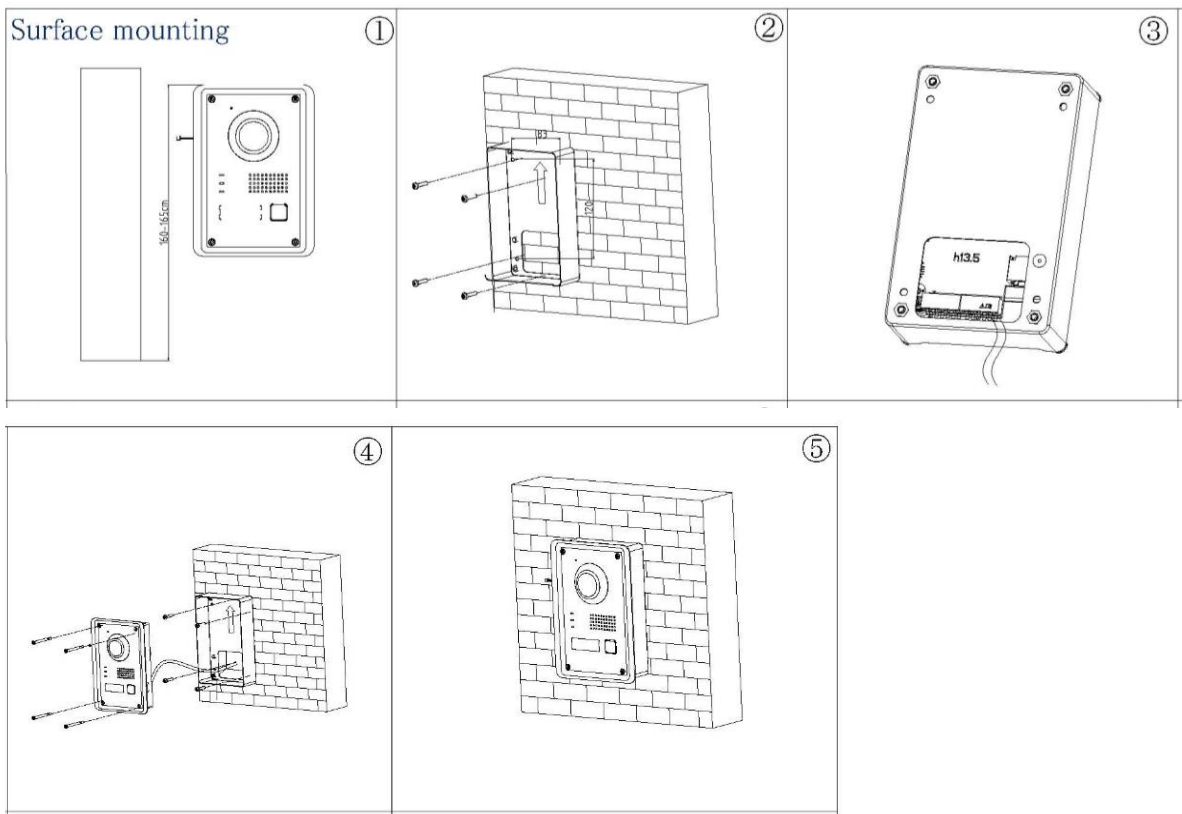
## 2.2 Wiring



## 2.3 Door Station installation

### 2.3.1 surface mounting

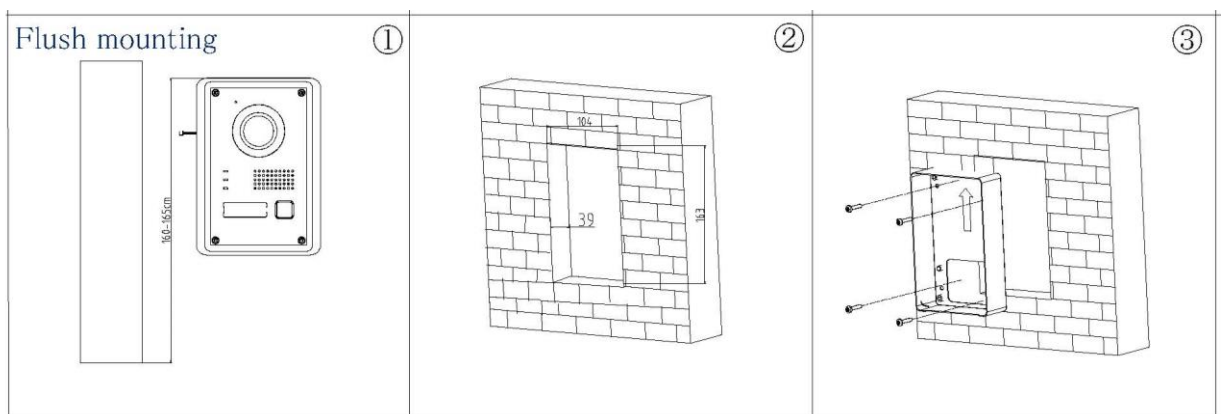
The suggested installation height is 160mm~165mm.

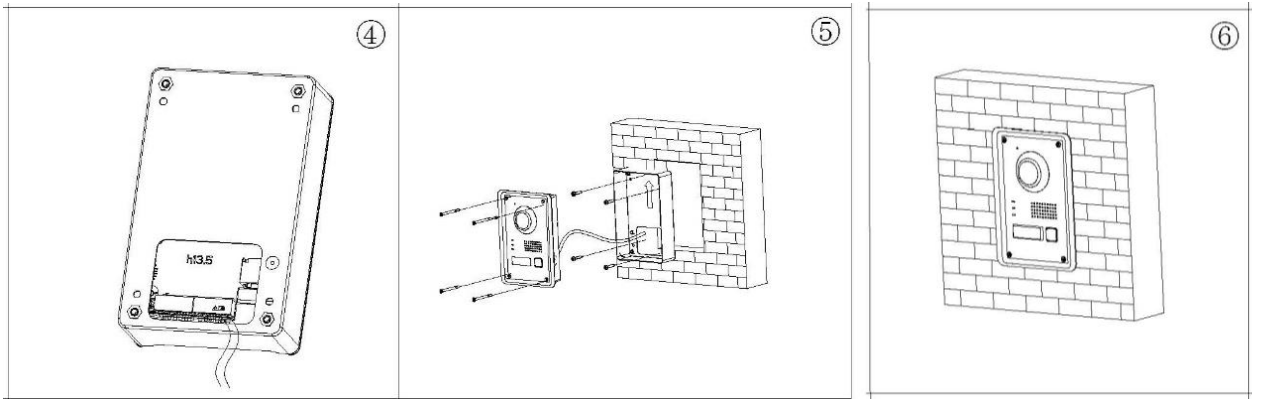


### 2.3.2 Flush mounting

The suggested installation height is 160mm~165mm.

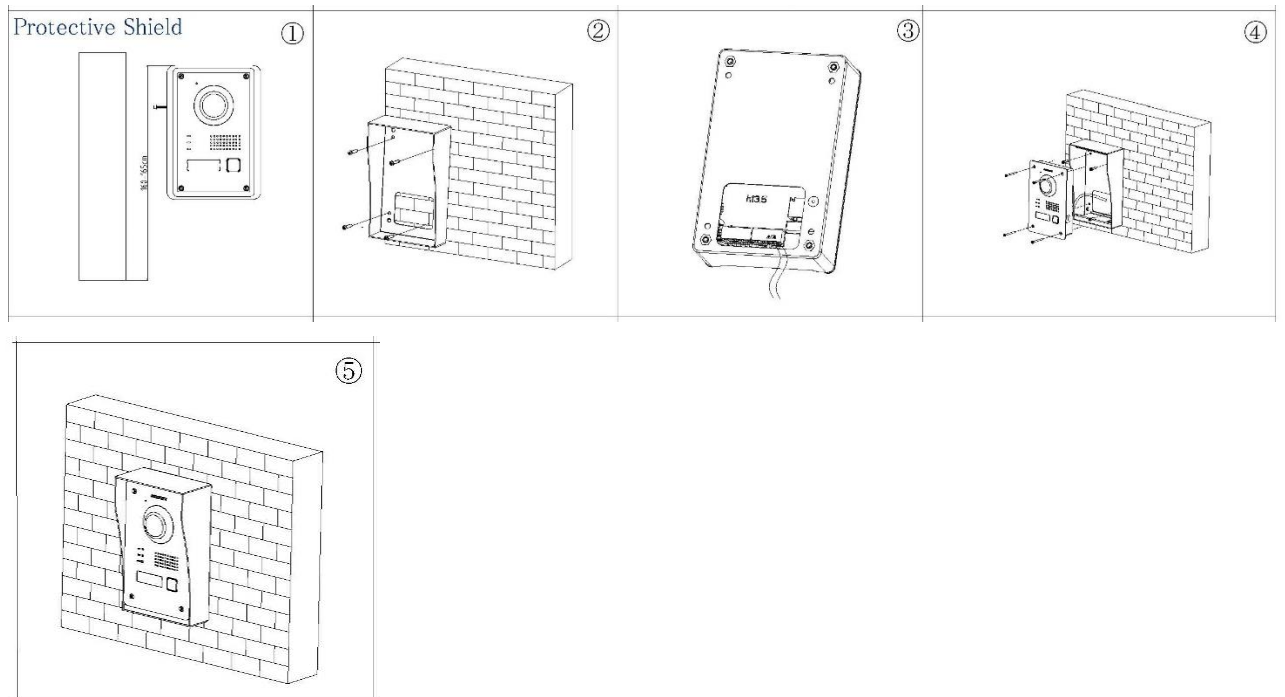
Chisel a hole in the wall. The size of the hole should be 104 mm (width) × 163 mm (length) × 39 mm (depth).





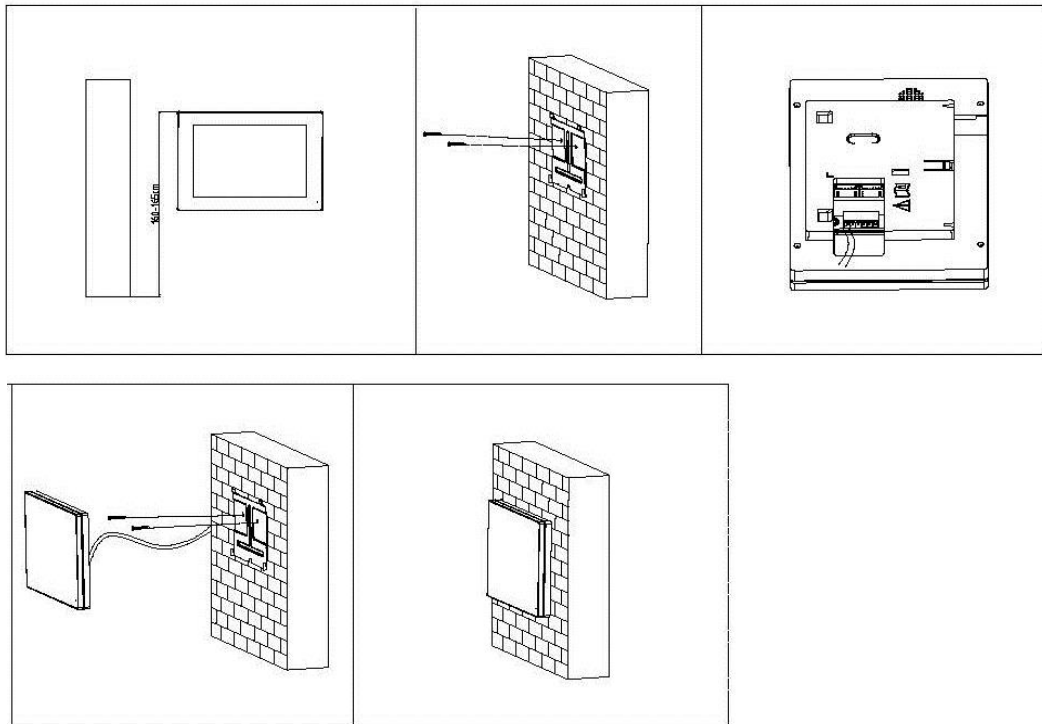
### 2.3.3 Shield mounting

Protective shield is a separate purchase. The suggested dimension of the protective shield is: 113.4 mm (width) × 184.4 mm (length) × 60.55 mm (depth).



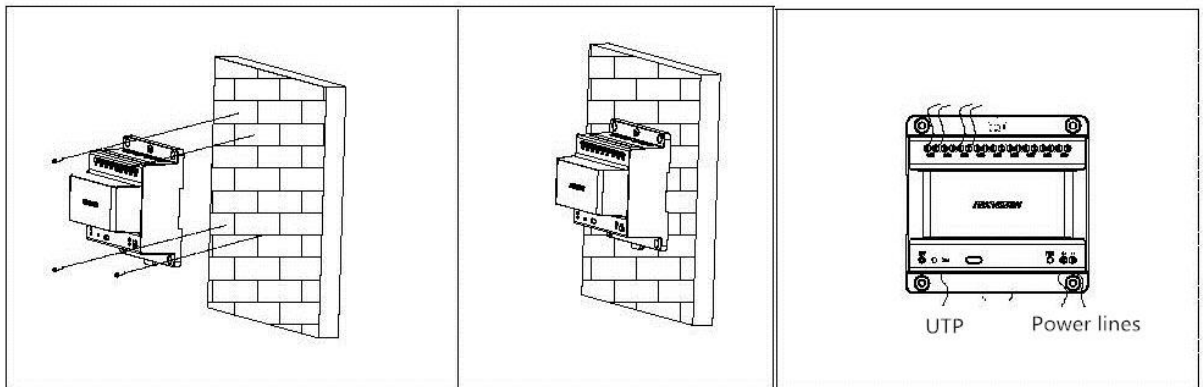
### 2.4 Indoor Station installation

The suggested installation height is 160mm~165mm.



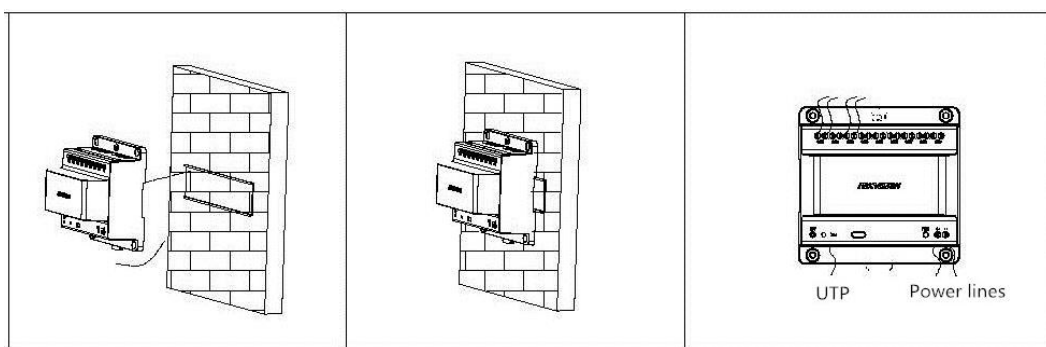
## 2.5 Distributor installation

### 2.5.4 Fix with screw



### 2.5.5 Fix with DIN rail





### Cautions

Make sure all the related equipment is power-off during the installation.

Choose power cables according to the distance between the door station and the video/audio distributor.

Cable	Resistance per 100 m	Max. Transmission Distance	Max. Distance (Door station doesn't supply power for electric lock.)	Max. Distance (Door station supplies power for electric lock.)
24AWG	10 $\Omega$	50 m	50 m	30 m
20AWG	7 $\Omega$	100 m	100 m	80 m
18AWG	4 $\Omega$	150 m	150 m	100 m

## 3 Configuration

### Before you start:

- If you want to add the device to the APP, please make sure the video/audio distributor is connected to the internet via network cable before your configuration (DHCP function is enabled default), or you should reboot the device if you connect the distributor to the internet after your configuration.
- Make sure the indoor station and door station are connected to the video/audio distributor via 2 wire cables.
- Make sure all devices are power-on during the activation.

### Steps

#### ① Activate device

You are required to activate the device first by setting a strong password for it before you can use



the device.

**② Select system language**

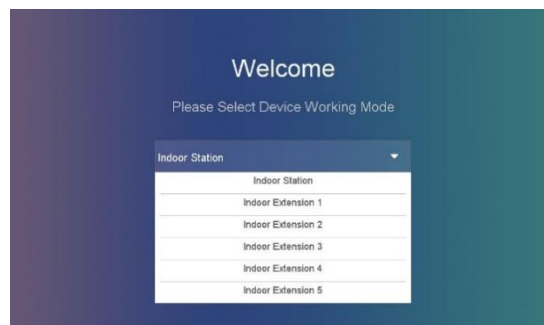
Select a language that you need in the drop-down list between English, Italian, German, French



and Spanish, etc, English is default.

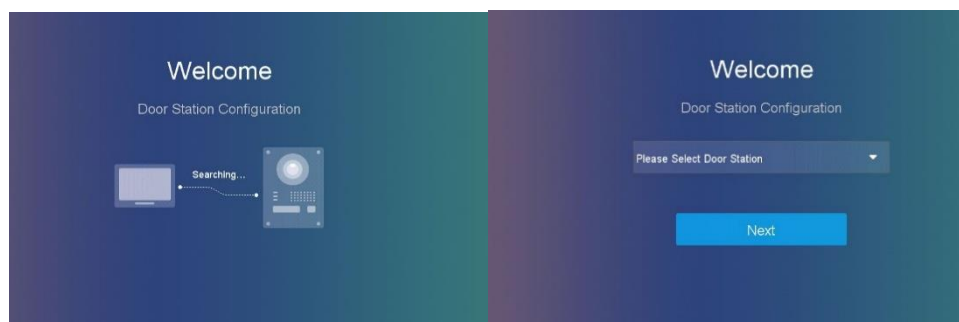
**③ Select device working mode**

You can select the indoor station as the main indoor station by clicking “Indoor Station” button in the drop-down list, If more indoor stations need to be added in , you can continue to set them as indoor extensions 1~5 one by one.



**④ Select door station(For main indoor station)**

It may takes several seconds searching the door station and then select door station.

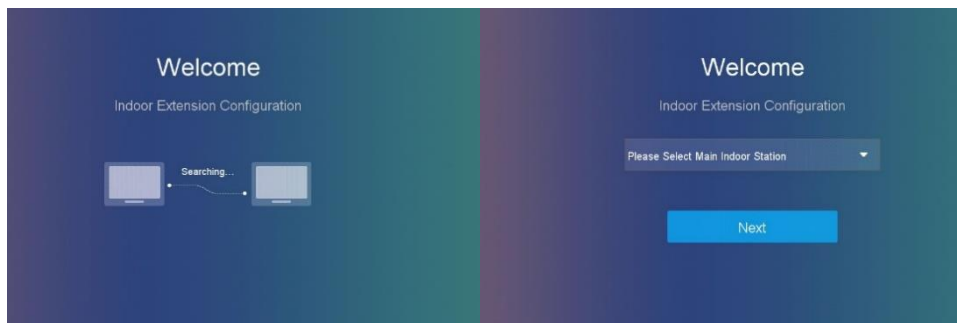


**⑤ Select main indoor station(For indoor extensions)**

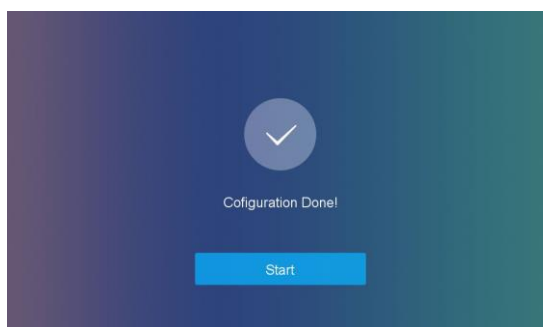
It may takes several seconds searching the main indoor station you have set and then select indoor station.

**NOTE**

if you do not have indoor extensions, please skip this step.



## ⑥ Configuration Done




### NOTE

For the indoor extensions configuration, make sure the video/audio distributor is connected to the internet via network cable before configuration, otherwise you will need to power the system off and restart after you connect to the internet via network cable, or manually configure the IP address of the indoor extensions and associate devices following below.

- 1、 Click **Settings->Config->SADP** to enter the SADP configuration page, the initial admin password is 888999, you can reset it in the path **Settings->Password ->Edit**.
- 2、 In the SADP interface, you can find out door station, main indoor station, indoor extensions and their IP address on the same LAN, change the conflicting IP address of the indoor stations in the network interface.
- 3、 Back to the SADP interface,click'+', you can link the main indoor station with indoor extensions by one touch key

## 4 APP connection

---

You can realize remote control and video surveillance via the App. 

### 4.1.1 Set up the App

#### *Before You Start*

Make sure your mobile device has been connected to public network through Wi-Fi or 3/4G.

#### *Steps*

1. Download Hik-connection from the company website or app store , and register a user account.
2. Run the App Hik-connection, and login to the App.

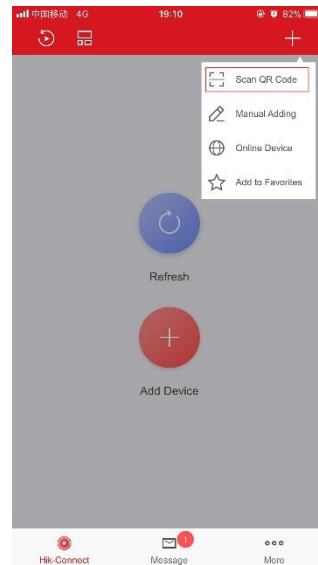
## 4.1.2 Add Device

### Before You Start

- Make sure devices have been activated.
- Make sure the door station and the indoor station are linked and communicating normally, the distributor should connect to a network port.

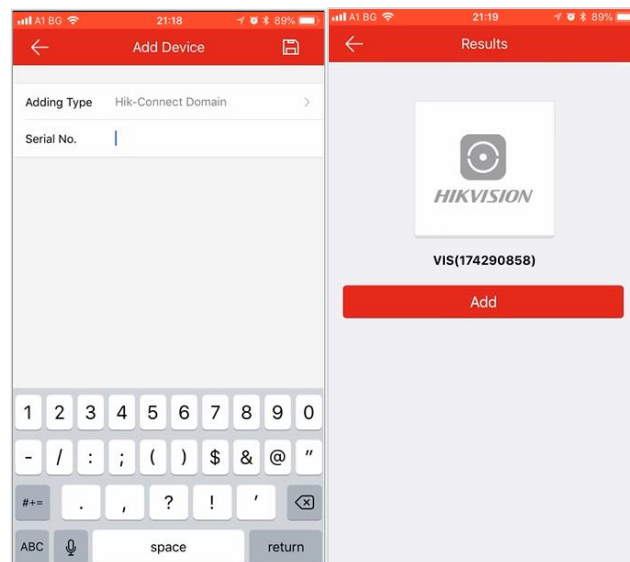
### Mode 1 Add Device to APP via QR Code

You can add the door station by scanning the QR code on the back of the door station via the App.



### Mode 2 Add Device to APP via Serial No.

- You can add the door station to the App by entering the device serial No. on the indoor station interface, You can get the serial No. on the Maintenance page: **Settings ->Maintenance**.



## TECHNICAL SUPPORT

---

1. In case of any problem, please immediately contact the local after-sales service authorized by

