

DS-2TP31-03AUF

Handheld Thermography Camera



The handheld thermography camera, specially designed for temperature measurement in transformer substation. It's equipped with a 160×120 resolution thermal detector. It helps the staff to quickly find the fault according to accurate temperature measurement of high temperature targets in the environment. Meanwhile it provides assistant decision and ensure safety. The device is mainly applied to various industries, such as Building, HVAC, and auto industry, etc.,

Key Features

- 160 × 120 resolution
- 320 × 240 resolution 2.4" LCD display
- Built-in rechargeable Li-ion battery
- Up to 8 hours continuous running
- Thermometry D:S = 75:1, a circular target with a diameter of 1 cm can be measured accurately within a distance of 75 cm.

Functions

Thermography

Device detects the real-time temperature, and display it on the screen.

Storage

Device is equipped with replaceable memory card to store recorded captured snapshots, and important data.

Palette

Device supports 4 palettes.

Laser Light Supplement:

Long-distance laser light supplement to point the thermography target.



Specification

Parameter		Model	DS-2TP31-03AUF
			Handheld Thermography Camera
Thermal Module	Image sensor		Uncooled Focal Plane Arrays
	Max. Resolution		160 × 120
	Pixel Pitch		17μm
	Response waveband		8μm to 14μm
	NETD		< 40mk (@ 25 °C,F#=1.0)
	Field of View		38.3° × 50 °
	Focal length		≥ 150 mm
	IFOV (mrad)		5.67 mrad
	Aperture		F 1.1
Image Display	Monitor		320 × 240 resolution 2.4'' LCD display
	Palettes		Black hot, White hot, Rainbow, Ironbow
	Record Video		Support on-board video recording
Thermography	Rules		3 thermometry points: Max. Temperature; Min. Temperature; Center Temperature
	Thermometry Range		-20 °C to 550 °C (-4 °F to 1022 °F)
	Thermometry Accuracy		Max (±2 °C, ±2%)
	Thermometry Distance		D:S = 75:1
Battery	Battery Type		Rechargeable Lithium Battery
	Battery Operating Time		8 hours continuous running
Functions	Laser Light		Support (Point to the thermography target)
	Storage		Replaceable memory card (default 8G, support up to 128G storage)
	Photo		Thermal image
	Video		N.A.
	Language		English
General	Power		3.7 V DC/0.4 A
	Power Consumption		Less than 1.2 W
	Hardware Interface		micro USB
	Working Temperature		-10 °C to 50 °C (14 °F to 122 °F)
	Protection level		IP54
	Drop Test Height		2 m (6.56 feet)
	Dimension		196 mm × 117 mm × 59 mm (7.7 " × 4.6 " × 2.3 ")
	Weight		Approx. less than 350 g (0.77 lb)
Accessory		Power Adaptor, USB cable, 8GB memory card, User manual, Disk, Wrist Strap	

Order Models
DS-2TP31-03AUF

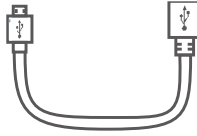
Box Content



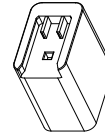
User Manual (×1)



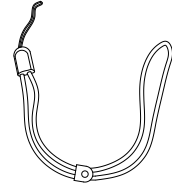
Disk (×1)



USB Cable (x1)



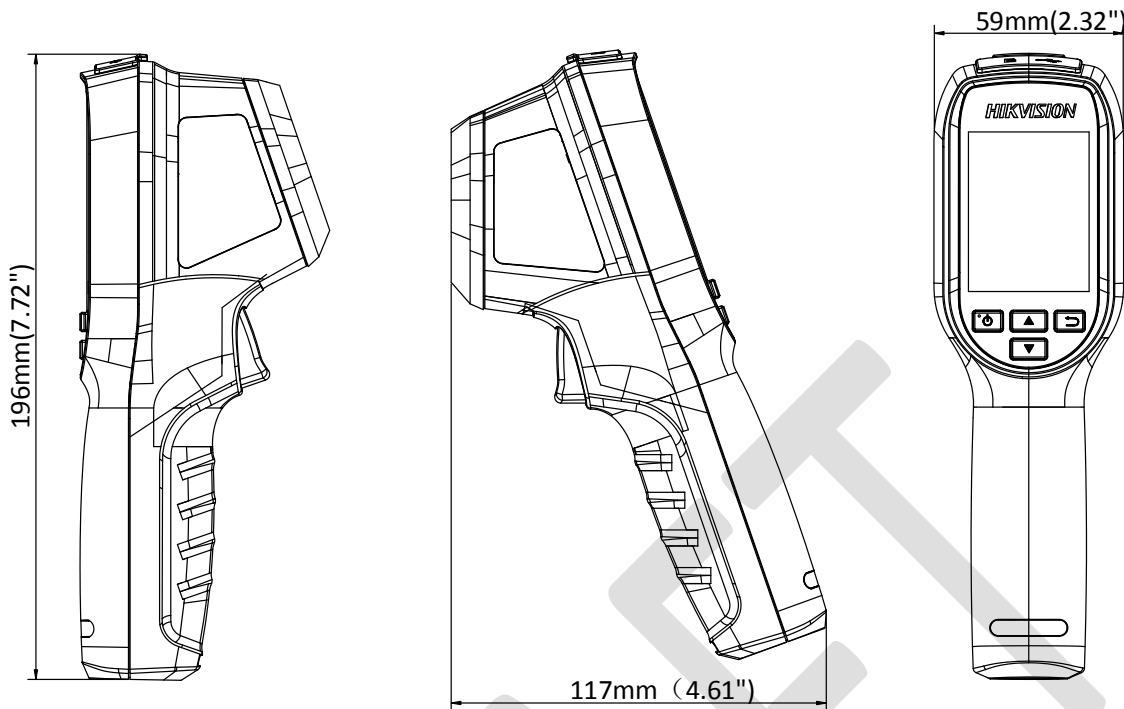
power Adapter
(x1)



Wrist Strap (x1)

DRAFT

Dimension



Distributed by



Headquarters

No.555 Qianmo Road, Binjiang District,
Hangzhou 310051, China
T +86-571-8807-5998
overseasbusiness@hikvision.com

Hikvision USA
T +1-909-895-0400
sales.usa@hikvision.com

Hikvision Australia
T +61-2-8599-4233
salesau@hikvision.com

Hikvision India
T +91-22-28469900
sales@pramahikvision.com

Hikvision Canada
T +1-866-200-6690
sales.canada@hikvision.com

Hikvision Thailand
T +662-275-9949
sales.thailand@hikvision.com

Hikvision Europe
T +31-23-5542770
sales.eu@hikvision.com

Hikvision Italy
T +39-0438-6902
info.it@hikvision.com

Hikvision Brazil
T +55 11 3318-0050
Latam.support@hikvision.com

Hikvision Turkey
T +90 (216)521 7070- 7074
sales.tr@hikvision.com

Hikvision Malaysia
T +601-7652-2413
sales.my@hikvision.com

Hikvision UK & Ireland
T +01628-902140
sales.uk@hikvision.com

Hikvision South Africa
Tel: +27 (10) 0351172
sale.africa@hikvision.com

Hikvision France
T +33(0)1-85-330-450
info.fr@hikvision.com

Hikvision Kazakhstan
T +7-727-9730667
nikia.panfilov@hikvision.ru

Hikvision Vietnam
T +84-974270888
sales.vt@hikvision.com

Hikvision UAE
T +971-4-4432090
salesme@hikvision.com

Hikvision Singapore
T +65-6684-4718
sg@hikvision.com

Hikvision Spain
T +34-91-737-16-55
info.es@hikvision.com

Hikvision Tashkent
T +99-87-1238-9438
uzb@hikvision.ru

Hikvision Hong Kong
T +852-2151-1761
info.hk@hikvision.com

Hikvision Russia
T +7-495-669-67-99
saleru@hikvision.com

Hikvision Korea
T +82-(0)31-731-8817
sales.korea@hikvision.com

Hikvision Poland
T +48-22-460-01-50
info.pl@hikvision.com

Hikvision Indonesia
T +62-21-2933759
Sales.Indonesia@hikvision.com

Hikvision Colombia
sales.colombia@hikvision.com