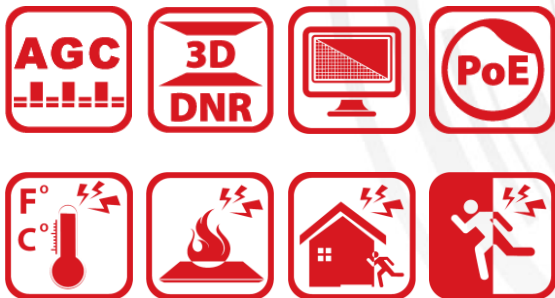


Temporary version , only for reference.

DS-2TD2166T-15/25/35

Thermometric Thermal Network Bullet Camera



Hikvision DS-2TD2166T-15/25/35 Thermometric Thermal Network Bullet Camera is applied to manufacture process supervision of pyrophoric materials in factories, electric substation, and hydropower station. The accurate temperature measurement system sends you alarms to protect you from property loss.

Smart Function (Thermal Imaging)

- Leading image processing technology: Adaptive AGC, DDE, 3D DNR, NETD < 50mk (0.05°C/32.09°F)
- Powerful behavior analysis algorithm: Line crossing, Intrusion, Region Entrance & Exit
- Reliable temperature exception alarm function
- Advanced fire detection algorithm

Thermal Imaging Module Function

- 640*512 resolution, high sensitivity sensor, support contrast adjustment
- Support shutter adjustment in various modes
- 3D DNR, 14 pseudo colors adjustable, image detail enhancement
- Support mirror image
- 15mm, 25mm, and 35mm lens are optional



Specifications

Parameter		Model	DS-2TD2166T-15	DS-2TD2166T-25	DS-2TD2166T-35
		Thermometric Thermal Network Bullet Camera			
Thermal Module	Image sensor	Vanadium Oxide Uncooled Focal Plane Arrays			
	Max. Resolution	640 × 512			
	Response waveband	8μm to 14μm			
	NETD	< 50mk (@25°C,F#=1.0)			
	Lens (focal length)	15 mm	25 mm	35 mm	
	MRAD	1.13mrad	0.68mrad	0.49mrad	
	Field of View	39.87° × 32.36°	24.55° × 19.75°	17.67° × 14.18°	
	Min. Focusing Distance	2.5 m	13 m	40 m	
	F number	1.0			
Accurate Thermometric	Temperature Range	-20 °C to 550 °C (-4 °F to 1,022 °F)			
	Temperature accuracy	Max (±2 °C, ±2%)			
	Temperature measurement type	Point/line/frame			
Network	Main stream	50fps(640×512, 384×288, 352×288)			
	Sub stream	50fps(640×512, 384×288, 352×288)			
	Third stream	50fps(640×512, 384×288, 352×288)			
	Video compression	H.264/MJPEG, H.264+ encoding with Baseline/Main/High Profile			
	Audio compression	G.711u/G.711a/G.722.1/MP2L2/G.726/PCM			
	Protocols	IPv4/IPv6,HTTP,HTTPS,802.1x,Qos,FTP,SMTP,UPnP,SNMP,DNS,DDNS,NTP,RTSP,RTCP,RTP,TCP,UDP,IGMP,ICMP,DHCP,PPPoE,Bonjour			
	Simultaneous live view	Up to 20			
	User/Host level	Up to 32 users, 3 levels: Administrator, Operator, User			
	Security measures	User authentication (ID and PW), MAC address binding, HTTPS encryption, IEEE 802.1x access control, IP address filtering			
Integration	Alarm input	2-ch inputs (0-5vDC)			
	Alarm output	2-ch relay outputs, alarm response actions configurable			
	Alarm action	SD recording/Relay output/Smart capture/FTP upload/Email linkage			
	Audio input	1 3.5mm Mic in/Line in interface. Line input: 2-2.4V[p-p], output impedance:1KΩ±10%			
	Audio output	Line level, impedance: 600Ω			
	Reset	1 Reset Button			
	Ethernet	1 RJ45 10M/100M Self-adaptive Ethernet interface			
	SD memory card	Built-in Micro SD card slot, support Micro SD/SDHC/SDXC card (up to 64G), support manual/alarm recording			
	Analog video output	1.0V[p-p] / 75Ω, PAL(or NTSC), BNC			
	Application programming	Open-ended API, support ONVIF, PSIA, CGI, HIKVISION SDK and third-party management platform			
	Client	iVMS-4200			
	Web browser	IE7+, Chrome18+, Firefox5.0+, Safari5.02+			
General	Menu language	English			
	Power	POE+ (802.3at), 24VAC, 12VDC/3A, 8W (22W with De-icing Heater On)			
	Working temperature Humidity	-40 °C to 65 °C (-40 °F to 149 °F), 90% or less			
	Protection level	IP66 TVS 6000V Lightning protection, surge protection, voltage transient protection			
	Dimensions	314mm×104mm×292.7mm (12.36"×4.09"×11.52")			
	Weight	2kg (4.41lb)			

Wide Range Coverage for Different Specifications

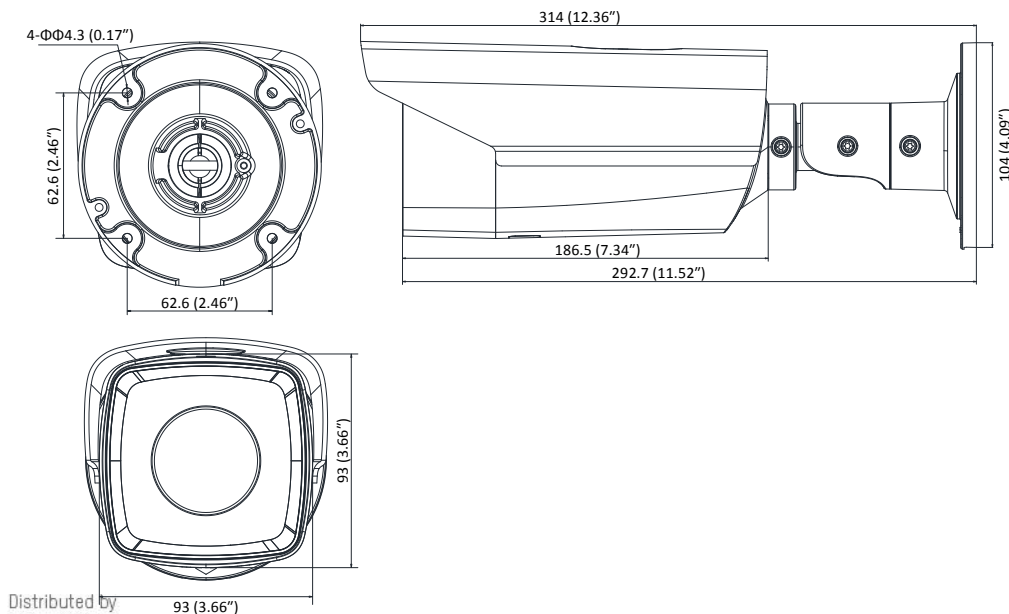
Note: The table below is only for reference, the performance varies from model to model, and the specific data is based on 17 μm pixel space-between.

Lens (focal length)	10mm	15mm	25mm	35mm	50mm	75mm
Detection range (Vehicles)	902m	1353m	2255m	3157m	4510m	6765m
Detection range (Humans)	294m	441m	735m	1029m	1471m	2206m
Recognition range (Vehicles)	225m	338m	564m	789m	1127m	1691m
Recognition range (Humans)	74m	110m	184m	257m	368m	551m
Identification range (Vehicles)	113m	169m	282m	395m	564m	846m
Identification range (Humans)	37m	55m	92m	129m	184m	276m

Order Models

DS-2TD2166T-15; DS-2TD2166T-25; DS-2TD2166T-35

Dimensions



Distributed by

Headquarters

No.555 Qianmo Road, Binjiang District,
Hangzhou 310051, China
T +86-571-8807-5998
overseasbusiness@hikvision.com

Hikvision USA
T +1-909-895-0400
sales.usa@hikvision.com

Hikvision Europe
T +31-23-5542770
saleseuro@hikvision.com

Hikvision Middle East
T +971-4-8816086
salesme@hikvision.com

Hikvision Russia
T +7-495-669-67-99
saleru@hikvision.com

Hikvision India
T +91-22-28469900
sales@pramahikvision.com

Hikvision Italy
T +39-0438-6902
info.it@hikvision.com

Hikvision France
T +33(0)1-85-330-444
info.fr@hikvision.com

Hikvision Spain
T +34-91-737-16-55
info.es@hikvision.com

Hikvision Poland
T +48-22-460-01-50
poland@hikvision.com

Hikvision UK
T +44-1628-9021-4
support.uk@hikvision.com

Hikvision Singapore
T +65-6684-4718
sg@hikvision.com

Hikvision Oceania
T +61-2-8599-4233
salesau@hikvision.com

Hikvision Hong Kong
T +852-2151-1761

Hikvision Canada
T +1-909-895-0400
sales.usa@hikvision.com