

DS-2TD2136-10/15/25/35

Thermal Network Outdoor Bullet Camera

- 384 x 288 Resolution
- Vanadium Oxide Uncooled FPA
- 10 mm, 15 mm, 25 mm, and 35 mm Lens Options
- NETD <50 mk
- Adaptive AGC, 3D DNR
- Dynamic Detail Enhancement
- Smart Features
 - Line Crossing, Intrusion, Region Entrance/Exit
 - Temperature Exception
 - Advanced Fire Detection
- 14 Pseudo Colors Adjustable
- Includes Conduit Base
- IP66
- POE+ (802.3at), 24 VAC / 12 VDC, 18 W



The Hikvision DS-2TD2136-10, DS-2TD2136-15, DS-2TD2136-25, and DS-2TD2136-35 Thermal Network Bullet Cameras use a vanadium oxide uncooled focal plane sensor to enhance the thermal image quality.

The high sensitivity sensor has 384 x 288 resolution and features contrast adjustment for optimized images. AGC (Automatic Gain Control), 3D DNR (Dynamic Noise Reduction), and Dynamic Detail Enhancement further enhance image quality.

This series of cameras also feature advanced fire detection and a wide range of Smart functions, including temperature exception, line

crossing, intrusion, and region entrance and exit, benefitting users with great improvements on security efficiency and, more importantly, with key events and objects being recorded for further forensic needs.

The cameras can be outfitted with a 10 mm, 15 mm, 25 mm, or 35 mm lens to cover a variety of needs.

Available Models:

- DS-2TD2136-10 (10 mm Lens)
- DS-2TD2136-15 (15 mm Lens)
- DS-2TD2136-25 (25 mm Lens)
- DS-2TD2136-35 (35 mm Lens)



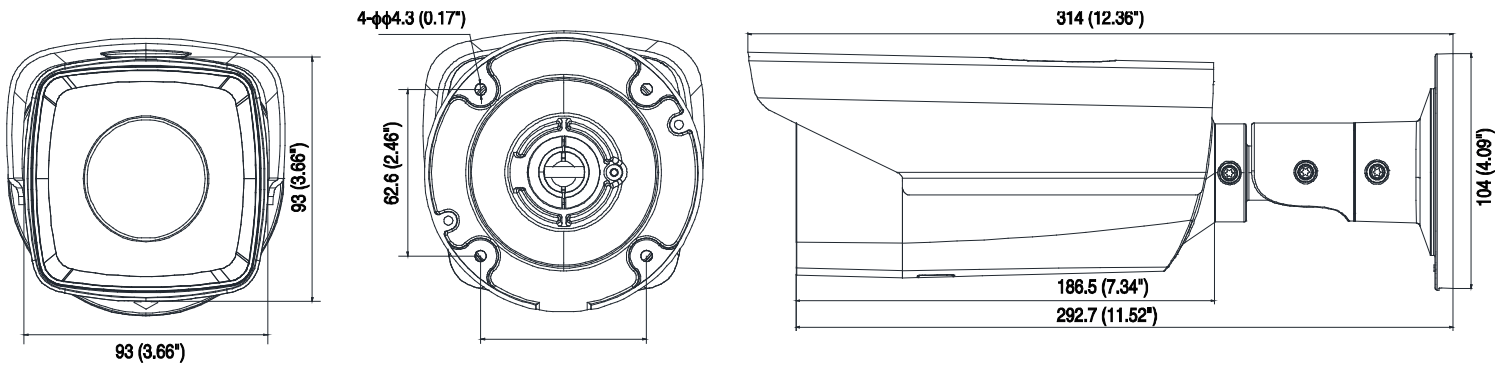
	DS-2TD2136-10	DS-2TD2136-15	DS-2TD2136-25	DS-2TD2136-35
Thermal Module				
Image Sensor	Vanadium oxide uncooled focal plane arrays			
Maximum Resolution	384 x 288			
Response Waveband	8 μm to 14 μm			
NETD	<50 mk (@ 25° C, F# = 1.0)			
Lens (Focal Length)	10 mm	15 mm	25 mm	35 mm
Mrad	1.70	1.13	0.68	0.49
Field of View	36° x 27°	39° x 32°	24° x 19°	17° x 14°
Min. Focusing Distance	1 m	2.5 m	13 m	40 m
F Number	1.0			
Main Stream	50 fps (384 x 288)			
Sub Stream	50 fps (384 x 288)			
Third Stream	50 fps (384 x 288)			
Video compression	H.264 / MJPEG / MPEG4, H.264+ encoding with baseline / main / high profile			
Audio Compression	G.711u / G.711a / G.722.1 / MP2L2 / G.726 / PCM			
Protocols	IPv4/IPv6, HTTP, HTTPS, 802.1x, QoS, FTP, SMTP, UPnP, SNMP, DNS, DDNS, NTP, RTSP, RTCP, RTP, TCP, UDP, IGMP, ICMP, DHCP, PPPoE, Bonjour			
Simultaneous Live Views	Up to 20			
User/Host Levels	Up to 32 users, 3 levels: administrator, operator, user			
Security Measures	User authentication (ID and PW), MAC address binding, HTTPS encryption, IEEE 802.1x access control, IP address filtering			
Network Integration				
Alarm Inputs	2-ch inputs (0 to 5 VDC)			
Alarm Outputs	2-ch relay outputs, alarm response actions configurable			
Alarm Actions	SD recording / relay output / smart capture / FTP upload / e-mail linkage			
Audio Inputs	1 3.5 mm microphone in / line in interface. Line input: 2-2.4 V[p-p], output impedance: 1 KΩ ± 10%			
Audio Output	Line level, impedance: 600 Ω			
Reset	1 reset button			
Ethernet	1 RJ-45 10M/100M self-adaptive Ethernet interface			
SD Memory Card	Built-in microSD card slot, supports microSD / SDHC / SDXC card (up to 64 GB), supports manual / alarm recording			
Analog Video Output	1.0 V[p-p] / 75 Ω, PAL (or NTSC), BNC			
Application Programming	Open-ended API, supports ONVIF, PSIA, CGI, HIKVISION SDK, and third-party management platform			
Client	iVMS-4200			
Web Browser	IE7+, Chrome 18+, Firefox 5.0+, Safari 5.02+			
General				
Menu Language	English			
Power	POE+ (802.3at), 24 VAC, 12 VDC/3 A, 18 W			
Working Temperature	-40° F to 149° F (-40° C to 65° C), 90% or less			
Humidity				
Protection Levels	IP66, TVS 6000 V lightning protection, surge protection, voltage transient protection			
Dimensions	12.36" x 4.09" x 11.52" (314 mm x 104 mm x 292.7 mm)			
Weight	4.41 lb (2 kg)			

Range Performance¹

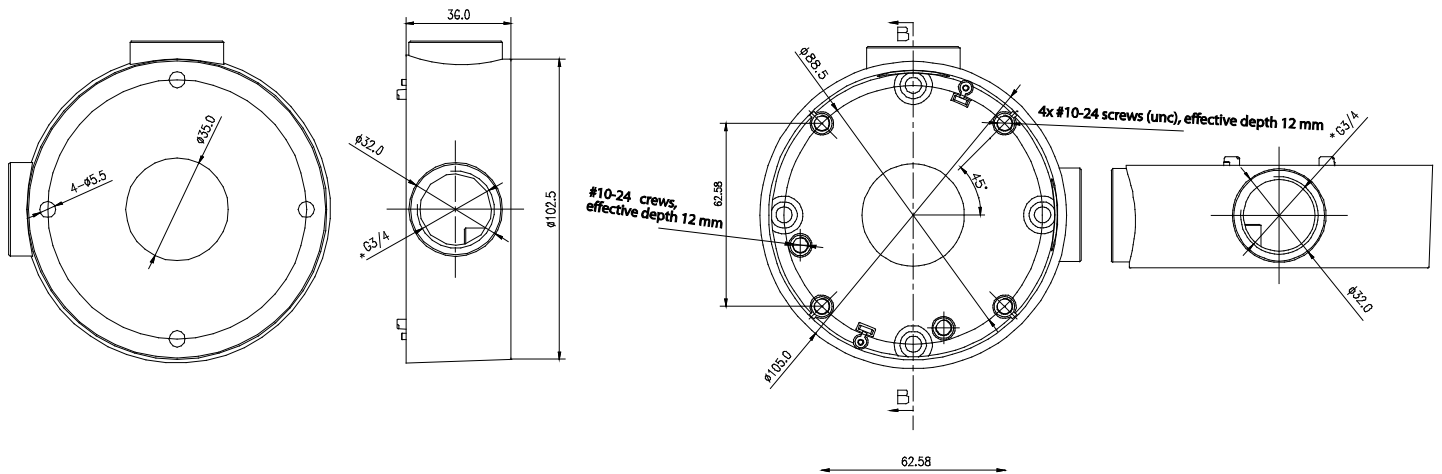
Standard Range Table	Model							
	DS-2TD2136-10		DS-2TD2136-15		DS-2TD2136-25		DS-2TD2136-35	
Johnson Criteria	Human	Vehicle	Human	Vehicle	Human	Vehicle	Human	Vehicle
Detection	965 ft (294 m)	2,959 ft (902 m)	1,447 ft (441 m)	4,439 ft (1,353 m)	2,411 ft (735 m)	7,398 ft (2,255 m)	3,376 ft (1,029 m)	10,358 ft (3,157 m)
Recognition	243 ft (74 m)	738 ft (225 m)	361 ft (110 m)	1,109 ft (338 m)	604 ft (184 m)	1,850 ft (564 m)	843 ft (257 m)	2,589 ft (789 m)
Identification	121 ft (37 m)	371 ft (113 m)	180 ft (55 m)	554 ft (169 m)	302 ft (92 m)	925 ft (282 m)	423 ft (129 m)	1,296 ft (395 m)

Smart Functions Range Table		Model			
Line Cross/Intrusion/Region Entrance-Exit	Object	DS-2TD2136-10	DS-2TD2136-15	DS-2TD2136-25	DS-2TD2136-35
Optimized to Johnson Criteria (Recognition)	Human	243 ft (74 m)	361 ft (110 m)	604 ft (184 m)	843 ft (257 m)
	Vehicle	738 ft (225 m)	1,109 ft (338 m)	1,850 ft (564 m)	2,589 ft (789 m)
Temperature Exception	Size of Point	Max Range	Max Range	Max Range	Max Range
Accuracy at 5 x 5 pixels	2 m x 2 m	771 ft (235 m)	1,152 ft (351 m)	1,919 ft (585 m)	2,687 ft (819 m)
	1 m x 1 m	387 ft (118 m)	581 ft (177 m)	968 ft (295 m)	1,355 ft (413 m)
Advanced Fire Detection	Size of Point	Max Range	Max Range	Max Range	Max Range
Accuracy at 2 x 2 pixels	2 m x 2 m	1,929 ft (588 m)	2,894 ft (882 m)	4,823 ft (1,470 m)	6,752 ft (2,058 m)
	1 m x 1 m	968 ft (295 m)	1,447 ft (441 m)	2,411 ft (735 m)	3,376 ft (1,029 m)

¹Range performance values are calculated under ideal conditions and are not a guarantee of performance.



Camera



Conduit Base (included)