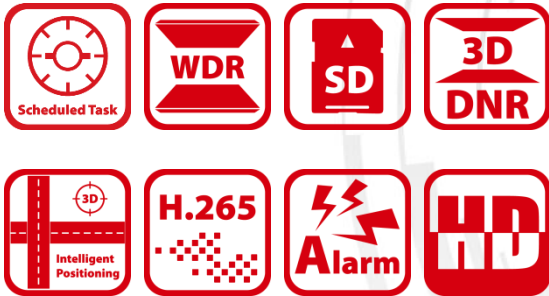


DS-2DP0818ZIX-D/236(5mm) (B) PanoVu Series 180° Panoramic + PTZ Camera

PanoVu



Hikvision DS-2DP0818ZIX-D/236(5mm) PanoVu Series 180° Panoramic + PTZ Camera, is able to capture panoramic images as well as close-up images to give consideration to both panorama and details. The panoramic images are captured by four sensors, which could realize 180° panorama monitoring. The design of integration model and high speed PTZ can offer the function of fast detail positioning over panoramic area.

Furthermore, with its advanced video analysis and multiple targets tracking algorithm, PanoVu camera also features a wide range of smart functions for multiple targets within the panoramic view filed, including intrusion detection, line crossing detection, region entrance detection, and region exiting detection. The camera could also output alarm signals to link the PTZ for tracking, benefitting users with great improvement on security efficiency.

Key Features

Panoramic Camera

- Four 1/1.8" progressive scan CMOS
- Up to 4096 × 1800 resolution @30fps
- Horizontal field of view: 180°, vertical field of view: 80°
- Min. illumination: Color: 0.005 Lux @(F2.0, AGC ON), B/W: 0.0005 Lux @(F2.0, AGC ON)

Tracking PTZ Camera

- 1/1.8" progressive scan CMOS
- Up to 1920 × 1080 resolution @60fps
- Pan and tilt range: 360° (Pan), -15° to 90° (Tilt)
- Min. illumination: Color: 0.002 Lux @(F1.5, AGC ON), B/W: 0.0002 Lux @(F1.5, AGC ON), 0 Lux with IR
- 36 × Optical Zoom, 16 × Digital Zoom
- IR distance: 200 m



Specification

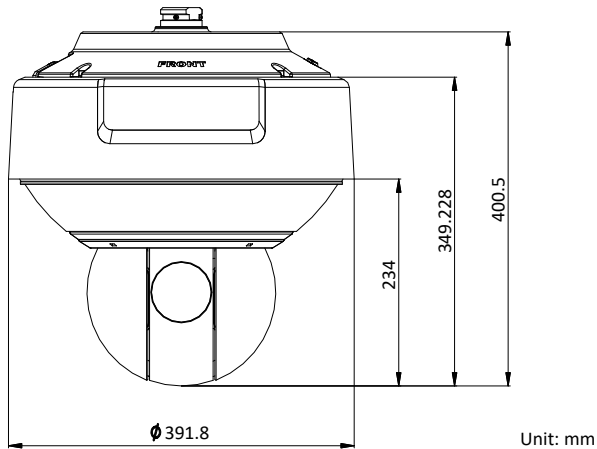
| Camera Module | |
|---|--|
| DS-2DP0818ZIX-D/236(5mm) (B) PanoVu Series 180° Panoramic + PTZ Camera | |
| One-touch Link | Yes |
| Tracking Mode | Manual/ Auto/ Mix |
| Multiple Targets Tracking | Yes |
| Number of Targets | Up to 30 targets can be detected at the same time. |
| Target Switch Time | <1s |
| Calibration | Manual/ Auto |
| Tracking Duration | Up to 60 s |
| Sensitivity Settings | Yes |
| White Balance | Auto/Manual/ATW (Auto-Tracking White Balance)/Indoor/Outdoor/Fluorescent Lamp/Sodium Lamp |
| Panoramic Camera | |
| Image Sensor | Four 1/1.8" Progressive Scan CMOS |
| Min. Illumination | Color: 0.005 Lux @(F2.0, AGC ON), B/W: 0.0005 Lux @(F2.0, AGC ON) |
| Lens | 5.0mm/ F2.0 |
| Field of View | Horizontal : 180°, Vertical: 80° |
| Smart Image Enhancement | Digital WDR, 3D DNR, HLC, BLC |
| Video Compression | Main Stream: H.265+/H.265/H.264+/H.264 Sub-Stream: H.265/H.264/MJPEG Third Stream: H.265/H.264 |
| Main Stream Resolution | 20:9 50Hz: 25fps (4096 × 1800, 3840 × 1680, 2720 × 1192) 60Hz: 30fps (4096 × 1800, 3840 × 1680, 2720 × 1192) 20:6 50Hz: 25fps (4096 × 1200, 3840 × 1080, 2720 × 800) 60Hz: 30fps (4096 × 1200, 3840 × 1080, 2720 × 800) |
| Sub-Stream Resolution | 20:9 50Hz: 25fps (704 × 320, 512 × 232) 60Hz: 30fps (704 × 320, 512 × 232) 20:6 50Hz: 25fps (704 × 200) 60Hz: 30fps (704 × 200) |
| Third Stream Resolution | 20:9 50Hz: 25fps (2048 × 896, 1280 × 560, 704 × 320, 512 × 232) 60Hz: 30fps (2048 × 896, 1280 × 560, 704 × 320, 512 × 232) 20:6 50Hz: 25fps (2048 × 600, 1280 × 376, 704 × 200) 60Hz: 30fps (2048 × 600, 1280 × 376, 704 × 200) |
| Basic Event Detection | Motion Detection |
| Smart Event Detection | Intrusion Detection, Line Crossing Detection, Region Entrance Detection, Region Exiting Detection |
| Tracking PTZ Camera | |
| Image Sensor | 1/1.8" Progressive Scan CMOS |
| Min. Illumination | Color: 0.002 Lux @(F1.5, AGC ON), B/W: 0.0002 Lux @(F1.5, AGC ON), 0 Lux with IR |
| IR | IR distance: 200 m; IR brightness and angle are adjustable. |
| S/N Ratio | ≥ 55 dB |
| Smart Image Enhancement | 3D DNR, 120 dB WDR, Optical Defog, HLC, Smart IR, EIS |
| Focal Length | 5.6 to 208 mm, 36 × optical zoom |
| Zoom Speed | Approx.6.6 s (Optical Wide-Tele) |
| Horizontal FOV | 62.5° to 1.9° (Wide-Tele) |
| Min. Working Distance | 10 mm to 1500 mm (Wide-Tele) |
| Aperture Range | F1.5 to F4.5 |
| Pan and Tilt Range | Pan: 360°, Tilt: -15° to 90° |
| Pan and Tilt Speed | Pan Manual Speed: 0.1°/s to 210°/s (Configurable), Pan Preset Speed: 240°/s |

| | |
|-------------------------|--|
| | Tilt Manual Speed: 0.1°/s to 150°/s (Configurable), Tilt Preset Speed: 200°/s |
| Preset Number | 300 |
| Patrol | 8 patrols, up to 32 presets per patrol |
| Pattern | 4 patterns, with the recording time not less than 10 minutes per pattern |
| Park Action | Preset/ Pattern Scan/ Patrol Scan/ Auto Scan/ Tilt Scan/ Random Scan/ Frame Scan/ Panorama Scan |
| Scheduled Task | Preset/ Pattern Scan/ Patrol Scan/ Auto Scan/ Tilt Scan/ Random Scan/ Frame Scan/ Panorama Scan/ Dome Reboot/ Dome Adjust/ Aux Output |
| Power-off Memory | Yes |
| 3D Positioning | Yes |
| Video Compression | Main Stream: H.265+/H.265/H.264+/H.264 Sub-Stream: H.265/H.264/MJPEG Third Stream: H.265/H.264 |
| Main Stream Resolution | 50Hz: 25fps (1920 × 1080, 1280 × 960, 1280 × 720) 50fps (1920 × 1080, 1280 × 960, 1280 × 720) 60Hz: 30fps (1920 × 1080, 1280 × 960, 1280 × 720) 60fps (1920 × 1080, 1280 × 960, 1280 × 720) |
| Sub-Stream Resolution | 50Hz: 25fps (704 × 576, 640 × 480, 352 × 288) 60Hz: 30fps (704 × 480, 640 × 480, 352 × 240) |
| Third Stream Resolution | 50Hz: 25fps (1920 × 1080, 1280 × 960, 1280 × 720, 704 × 576, 640 × 480, 352 × 288) 60Hz: 30fps (1920 × 1080, 1280 × 960, 1280 × 720, 704 × 480, 640 × 480, 352 × 240) |
| Target Filtering | People and vehicle are classified and filtered separately. |
| Basic Event Detection | Motion Detection, Video Tampering Detection, HDD Full, HDD Error, Network Disconnected, IP Address Conflicted, Illegal Login |
| Smart Event Detection | Intrusion Detection, Line Crossing Detection, Region Entrance Detection, Region Exiting Detection |
| Face Capture | Detect and capture faces and upload face pictures |
| Network | |
| Audio Compression | G.711alaw/G.711ulaw/G.722.1/G.726/MP2L2/PCM |
| Protocols | TCP/IP, IPv4/IPv6, HTTP, HTTPS, 802.1x, Qos, FTP, SMTP, UPnP, SNMP, DNS, DDNS, NTP, RTSP, RTCP, RTP, TCP, UDP, IGMP, ICMP, DHCP, PPPoE, Bonjour |
| API | Open-ended, support ONVIF, support HIKVISION SDK and Third-Party Management Platform |
| System Interface | |
| Network Interface | 1 self-adaptive Ethernet interface |
| Fiber Cable | 1 1000M FC interface, TX1310/ RX1550nm wavelength, 20 km transmission distance |
| RS-485 | Half duplex, HIKVISION, Pelco-P and Pelco-D self-adaptive |
| Alarm Input/ Output | 7-ch alarm input and 2-ch alarm output, support alarm linkage: Preset/ Patrol Scan/ Memory Card Recording/ Aux Output/ Notify Surveillance Center/ Upload to FTP/ Send Email |
| Audio Input/ Output | 1-ch audio input and 1-ch audio output. |
| Storage | Built-in memory card slot, support Micro SD/SDHC/SDXC (up to 128GB) |
| General | |
| Power Supply | 36 VDC |
| Power Consumption | 105 W Max. |
| Working Temperature | Outdoor: -40°C to 70°C (-40°F to 158°F) |
| Working Humidity | ≤ 90% |
| Protection Level | IP66 Standard, 6000V Lightning Protection, Surge Protection and Voltage Transient Protection |
| Dimension | Φ391.8 mm × 400.5 mm (Φ15.43"×15.77") |
| Weight | Approx. 18 kg (39.68 lb) |

Available Model

DS-2DP0818ZIX-D/236(5mm) (B), 180° Panoramic

Dimensions



Accessory



DS-1603ZJ-P
Wall Mounting Bracket



DS-1668ZJ-P
Pendant Mounting Bracket



DS-1668ZJ(20)-P
Pendant Mounting Bracket



DS-1603ZJ-Pole-P
Vertical Pole Mounting Bracket

HIKVISION®

Headquarters

No.555 Qianmo Road, Binjiang District,
Hangzhou 310051, China
T +86-571-8807-5998
overseasbusiness@hikvision.com

Hikvision USA
T +1-909-895-0400
sales.usa@hikvision.com

Hikvision Australia
T +61-2-8599-4233
salesau@hikvision.com

Hikvision India
T +91-22-28469900
sales@pramahikvision.com

Hikvision Canada
T +1-866-200-6690
sales.canada@hikvision.com

Hikvision Thailand
T +662-275-9949
sales.thailand@hikvision.com

Hikvision Europe
T +31-23-5542770
sales.eu@hikvision.com

Hikvision Italy
T +39-0438-6902
info.it@hikvision.com

Hikvision Brazil
T +55 11 3318-0050
Latam.support@hikvision.com

Hikvision Turkey
T +90 [216]521 7070- 7074
sales.tr@hikvision.com

Hikvision Malaysia
T +601-7652-2413
sales.my@hikvision.com

Hikvision UK & Ireland
T +01628-902140
sales.uk@hikvision.com

Hikvision South Africa
Tel: +27 (10) 0351172
sale.africa@hikvision.com

Hikvision France
T +33(0)1-85-330-450
info.fr@hikvision.com

Hikvision Kazakhstan
T +7-727-9730667
nikia.panfilov@hikvision.ru

Hikvision Vietnam
T +84-974270888
sales.vt@hikvision.com

Hikvision UAE
T +971-4-4432090
salesme@hikvision.com

Hikvision Singapore
T +65-6684-4718
sg@hikvision.com

Hikvision Spain
T +34-91-737-16-55
info.es@hikvision.com

Hikvision Tashkent
T +99-87-1238-9438
uzb@hikvision.ru

Hikvision Hong Kong
T +852-2151-1761
info.hk@hikvision.com

Hikvision Russia
T +7-495-669-67-99
saleru@hikvision.com

Hikvision Korea
T +82-(0)31-731-8817
sales.korea@hikvision.com

Hikvision Poland
T +48-22-460-01-50
info.pl@hikvision.com

Hikvision Indonesia
T +62-21-2933759
Sales.Indonesia@hikvision.com

Hikvision Colombia
sales.colombia@hikvision.com