

DS-2CD72205G0 20 MP Box Network Camera



DeepinView^{series}

- 1" Progressive Scan CMOS
- Color: 0.01 Lux @ (F1.2, AGC ON)
- 5472 × 3648 @ 25fps
- MJPEG up to 1920 × 1080 @ 25fps
- H.265, H.265+, H.264, H.264+
- Support USB 2.0 and USB 3.0
- DWDR
- Alarm 3 inputs/3 outputs, audio 2 inputs/1 output
- 5 streams
- 6 behavior analyses, 3 exception detection
- Built-in microSD/SDHC/SDXC card slot, up to 256 GB



Specifications

Camera	
Image Sensor	1" Progressive Scan CMOS
Min. Illumination	Color: 0.01 Lux @ (F1.2, AGC ON)
Shutter Speed	1/25 s to 1/100,000 s
Slow Shutter	No
Day & Night	IR cut filter. Blue glass module to reduce ghost phenomenon.
WDR	DWDR
Lens	
Lens Mount	Camera mount: M42 (M42 to C-mount adapter and M42 to F-mount adapter are included in the package)
Video	
Max. Resolution	5472 × 3648
Video Stream	5 defined streams
Main Stream	1 encoder track mode: H.264/H.265: 50Hz: 25fps (5472 × 3648, 3840 × 2160, 3200 × 1800, 3072 × 2048, 3072 × 1728, 2560 × 1440, 1920 × 1080, 1280 × 720) 60Hz: 24fps (5472 × 3648, 3840 × 2160, 3200 × 1800, 3072 × 2048, 3072 × 1728, 2560 × 1440, 1920 × 1080, 1280 × 720) 3 encoder tracks mode: H.264/H.265: 50Hz: 25fps (5472 × 3648) 60Hz: 24fps (5472 × 3648)
Sub Stream	1 encoder track mode: H.264/H.265/ MJPEG: 50Hz: 25fps (704 × 480, 640 × 480) 60Hz: 24fps (704 × 480, 640 × 480) 3 encoder tracks mode: No
Third Stream	1 encoder track mode: H.264/H.265: 50Hz: 25fps (1920 × 1080, 1280 × 720, 704 × 480, 640 × 480) 60Hz: 24fps (1920 × 1080, 1280 × 720, 704 × 480, 640 × 480) 3 encoder tracks mode: No
Fourth Stream	1 encoder track mode: H.264/H.265/ MJPEG: 50Hz: 25fps (1920 × 1080, 1280 × 720, 704 × 480, 640 × 480) 60Hz: 24fps (1920 × 1080, 1280 × 720, 704 × 480, 640 × 480) 3 encoder tracks mode: No

Fifth Stream	1 encoder track mode: H.264/H.265/ MJPEG: 50Hz: 25fps (1920 × 1080, 1280 × 720, 704 × 480, 640 × 480) 60Hz: 24fps (1920 × 1080, 1280 × 720, 704 × 480, 640 × 480) 3 encoder tracks mode: no
Video Compression	Main stream/third stream: H.265/ H.264 Sub-stream /fourth stream/fifth stream: H.265/H.264/MJPEG
H.264 Type	Baseline Profile/Main Profile/High Profile
H.264+	1 encoder track mode: each stream support 3 encoder tracks mode: No
H.265 Type	Baseline Profile
H.265+	1 encoder track mode: each stream support 3 encoder tracks mode: No
Video Bit Rate	32 Kbps to 16Mbps
Scalable Video Coding (SVC)	H.264 and H.265 encoding
Audio	
Audio Compression	G.711/G.722.1/G.726/MP2L2/PCM
Audio Bit Rate	64Kbps(G.711)/16Kbps(G.722.1)/16Kbps(G.726)/32-192Kbps(MP2L2)/8Kbps-48Kbps (PCM)
Environment Noise Filtering	Yes
Audio Sampling Rate	8 kHz/16 kHz/32 kHz/44.1 kHz/48 kHz
Smart Feature-Set	
Smart Event	Line crossing detection, up to 4 lines configurable Intrusion detection, up to 4 regions configurable Region entrance detection, up to 4 regions configurable Region exiting detection, up to 4 regions configurable Unattended baggage detection, up to 4 regions configurable Object removal detection, up to 4 regions configurable Scene change detection, audio exception detection, defocus detection
Basic Event	Motion detection, video tampering alarm, exception (network disconnected, IP address conflict, illegal login, HDD full, HDD error)
Linkage Method	Upload to FTP/NAS/memory card, notify surveillance center, send email, trigger alarm output, trigger recording, trigger capture
Region of Interest	4 fixed regions for each stream
Image	
Image Enhancement	BLC, HLC, 3D DNR, Defog, EIS
Image Setting	Saturation, brightness, contrast, sharpness, AGC, and white balance are adjustable by client software or web browser
Target Cropping	Yes
Day/Night Switch	Day/Night/Auto/Schedule/Triggered by Alarm In
Picture Overlay	LOGO picture can be overlaid on video with 128 × 128 24 bit bmp format

Network	
Network Storage	microSD/SDHC/SDXC card (256 GB), local storage and NAS (NFS, SMB/CIFS), ANR Together with high-end Hikvision memory card, memory card encryption and health detection are supported.
Protocols	TCP/IP, ICMP, HTTP, HTTPS, FTP, DHCP, DNS, DDNS, RTP, RTSP, RTCP, PPPoE, NTP, UPnP, SMTP, SNMP, IGMP, 802.1X, QoS, IPv6, UDP, Bonjour, SSL/TLS
API	ONVIF (PROFILE S, PROFILE G), ISAPI, SDK, Ehome
Security	Password protection, complicated password, HTTPS encryption, 802.1X authentication (EAP-TLS, EAP-LEAP, EAP-MD5), watermark, IP address filter, basic and digest authentication for HTTP/HTTPS, WSSE and digest authentication for ONVIF, RTP/RTSP over HTTPS, control timeout settings, security audit log, TLS 1.2
Simultaneous Live View	Up to 20 channels
User/Host	Up to 32 users. 3 user levels: administrator, operator and user
Client	iVMS-4200
Web Browser	Plug-in required live view: IE8+, Chrome 41.0-44, Firefox 30.0-51, Safari 8.0-11 Plug-in free live view: Chrome 45.0+, Firefox 52.0+
Interface	
Audio	2 inputs (line in), 3.5 mm connector, max. input amplitude: 3.3 Vpp, input impedance: 4.7 K Ω , interface type: non-equilibrium; 1 output (line out), 3.5 mm connector, max. output amplitude: 3.3 Vpp, output impedance: 100 Ω , interface type: non-equilibrium; 1 built-in speaker, 1 built-in microphone, mono sound
Communication Interface	1 RJ45 10M/100M/1000M Ethernet port; 1 RS-485 interface (half duplex, HIKVISION, Pelco-P, Pelco-D, self-adaptive); 1000M Fiber; GPS;
Alarm	3 inputs, 3 outputs (max. 24 VDC/VAC, 1 A max.)
USB	USB 2.0, USB 3.0
Video Out	1Vp-p composite output (75 Ω /CVBS), only for adjustment
Interface Style	Connector Panel
On-board Storage	Built-in microSD/SDHC/SDXC slot, up to 256 GB
General	
Firmware Version	V5.5.76
Web Client Language	32 languages English, Russian, Estonian, Bulgarian, Hungarian, Greek, German, Italian, Czech, Slovak, French, Polish, Dutch, Portuguese, Spanish, Romanian, Danish, Swedish, Norwegian, Finnish, Croatian, Slovenian, Serbian, Turkish, Korean, Traditional Chinese, Thai, Vietnamese, Japanese, Latvian, Lithuanian, Portuguese (Brazil)
General Function	One-key reset, anti-flicker, 5 streams, heartbeat, mirror, privacy masks, password protection, pixel counter, watermark, IP address filter
Reset	Reset via reset button on camera body, web browser and client software
Startup and Operating Conditions	-30 $^{\circ}$ C to 60 $^{\circ}$ C (-22 $^{\circ}$ F to 140 $^{\circ}$ F), humidity 95% or less (non-condensing)
Storage Conditions	-30 $^{\circ}$ C to 60 $^{\circ}$ C (-22 $^{\circ}$ F to 140 $^{\circ}$ F), humidity 95% or less (non-condensing)

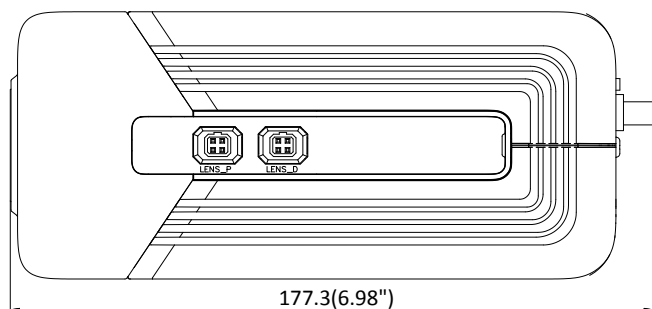
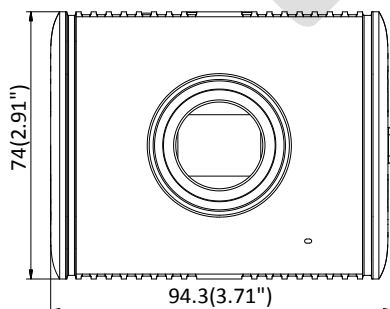
Power Supply	12 VDC \pm 20%; reverse polarity protection; 24 VAC \pm 20%; PoE (802.3at, class 4); 2-core terminal block
Power Consumption and Current	12 VDC, 1.4 A, max. 16.8 W; 24 VAC, 1.16 A, max. 16.6 W; PoE (802.3at, 42.5V to 57 V), 0.42 to 0.32 A, class 4, max.17.8 W
Material	Metal
Dimensions	Camera: 177.3 \times 74 \times 94.3 mm (6.98" \times 2.91" \times 3.71") Package: 260 \times 230 \times 135 mm (10.24" \times 9.10" \times 5.31")
Weight	Camera: 1.1 kg (2.43 lb.) With package: 1.7 kg (3.75 lb.)
Approval	
EMC	FCC (47 CFR Part 15, Subpart B); CE-EMC (EN 55032: 2015, EN 61000-3-2: 2014, EN 61000-3-3: 2013, EN 50130-4); RCM (AS/NZS CISPR 32:2015); IC (ICES-003: Issue 6, 2016); KC (KN 32: 2015, KN 35: 2015);
Safety	UL (UL 60950-1); CB (IEC 60950-1:2005 + Am 1:2009 + Am 2:2013); BIS (IS 13252 (Part 1): 2010+A1:2013+A2:2015); CE-LVD (EN 60950-1:2005 + Am 1:2009 + Am 2:2013); LOA (IEC/EN 60950-1);
Environment	CE-ROHS (2011/65/EU); REACH (Regulation (EC) No 1907/2006); WEEE (2012/19/EU);
Fiber Optical	
Transfer Rate	1.25 Gbps
Fiber Type	1 LC fiber optical interface, SFP module, single mode
Transmission Wavelength	TX: 1310 nm, RX: 1550 nm
Transmission Distance	20 km

* Listed resolutions are only selectable options. It does not mean that all streams can work at their maximum resolution at the same time.

Available Model

DS-2CD72205G0

Dimension



Unit:mm(inch)

Accessory**M42 to F-mount Adapter**
(Used together with F-mount lens)**M42 to C-mount Adapter**
(Used together with C-mount lens)

Distributed by

**HIKVISION®****Headquarters**No.555 Qianmo Road, Binjiang District,
Hangzhou 310051, China
T +86-571-8807-5998
overseasbusiness@hikvision.com**Hikvision USA**
T +1-909-895-0400
sales.usa@hikvision.com**Hikvision Australia**
T +61-2-8599-4233
salesau@hikvision.com**Hikvision India**
T +91-22-28469900
sales@pramahikvision.com**Hikvision Canada**
T +1-866-200-6690
sales.canada@hikvision.com**Hikvision Thailand**
T +662-275-9949
sales.thailand@hikvision.com**Hikvision Europe**
T +31-23-5542770
sales.eu@hikvision.com**Hikvision Italy**
T +39-0438-6902
info.it@hikvision.com**Hikvision Brazil**
T +55 11 3318-0050
Latam.support@hikvision.com**Hikvision Turkey**
T +90 (216)521 7070- 7074
sales.tr@hikvision.com**Hikvision Malaysia**
T +601-7652-2413
sales.my@hikvision.com**Hikvision UK & Ireland**
T +01628-902140
sales.uk@hikvision.com**Hikvision South Africa**
Tel: +27 (10) 0351172
sale.africa@hikvision.com**Hikvision France**
T +33(0)1-85-330-450
info.fr@hikvision.com**Hikvision Kazakhstan**
T +7-727-9730667
nikia.panfilov@hikvision.ru**Hikvision Vietnam**
T +84-974270888
sales.vt@hikvision.com**Hikvision UAE**
T +971-4-4432090
salesme@hikvision.com**Hikvision Singapore**
T +65-6684-4718
sg@hikvision.com**Hikvision Spain**
T +34-91-737-16-55
info.es@hikvision.com**Hikvision Tashkent**
T +99-87-1238-9438
uzb@hikvision.ru**Hikvision Hong Kong**
T +852-2151-1761
info.hk@hikvision.com**Hikvision Russia**
T +7-495-669-67-99
sateru@hikvision.com**Hikvision Korea**
T +82-(0)31-731-8817
sales.korea@hikvision.com**Hikvision Poland**
T +48-22-460-01-50
info.pl@hikvision.com**Hikvision Indonesia**
T +62-21-2933759
Sales.Indonesia@hikvision.com**Hikvision Colombia**
sales.colombia@hikvision.com