

## DS-2CD6D82G0-IH(S) Dual-Directional PanoVu Camera



- 1/2.5" Progressive Scan CMOS
- Dual lens
- Flexible Lens: P: -90 to 90°; T: 0 to 60° (2.8mm), 0 to 70° (4/6mm); R: 0 to 355°
- H.265, H.264
- 3840 × 2160 @ 24fps
- 120dB WDR
- Built-in micro SD/SDHC/SDXC card slot, up to 256 GB
- IP67, IK10



## Specifications

Camera	
Image Sensor	1/2.5" Progressive Scan CMOS
Min. Illumination	Color: 0.056 Lux @ (F2.0, AGC ON), 0 Lux with IR
Shutter Speed	1 s to 1/100,000 s
Slow Shutter	Yes
Wide Dynamic Range	120dB
Day & Night	ICR Cut
Linkage Method	Upload to FTP/NAS/memory card, notify surveillance center, send email
Angle Adjustment	P: -90 to 90°; T: 0 to 60° (2.8mm), 0 to 70° (4/6mm); R: 0 to 355°
Lens	
Lens Type & FOV	2.8mm @ F2.0, horizontal FOV 103°, vertical FOV 53°, diagonal FOV 124° 4 mm @ F2.0, horizontal FOV 79°, vertical FOV 41°, diagonal FOV 94° 6 mm @ F2.0, horizontal FOV 50°, vertical FOV 27°, diagonal FOV 58°
Aperture	F2.0
Lens Mount	M12
DORI	
DORI	2.8 mm: D: 105.4 m, O: 41.8 m, R: 21.1 m, I: 10.5 m 4 mm: D: 123.5 m, O: 49.0 m, R: 24.7 m, I: 12.3 m 6 mm: D: 181.5 m, O: 72.0 m, R: 36.3 m, I: 18.1 m
Illuminator	
IR Range	Up to 10 m
Wavelength	850 nm
Smart Supplement Light	Yes
Video	
Max. Resolution	3840 × 2160
Main Stream	50 Hz: 12.5 fps (3840 × 2160, 3072 × 1728, 2560 × 1440, 1920 × 1080, 1280 × 720) 60 Hz: 15 fps (3840 × 2160, 3072 × 1728, 2560 × 1440, 1920 × 1080, 1280 × 720)
Sub Stream	50 Hz: 12.5 fps (640 × 480, 704 × 576) 60 Hz: 15 fps (640 × 480, 704 × 480)
Video Compression	H.265/H.264/MJPEG
Video Bit Rate	32 Kbps to 16 Mbps
H.264 Type	Baseline Profile/Main Profile/High Profile

H.265 Type	Main Profile
Bit Rate Control	CBR/VBR
Stream Type	Main stream/Sub-stream
Scalable Video Coding (SVC)	H.265 and H.264 support
Region of Interest (ROI)	4 fixed regions for each stream
<b>Audio (-S)</b>	
Environment Noise Filtering	Yes
Audio Sampling Rate	8 kHz/16 kHz/32kHz/44.1kHz/48kHz
Audio Compression	G.711/G.722.1/G.726/MP2L2/PCM
Audio Bit Rate	64Kbps (G.711ulaw), 64Kbps (G.711alaw), 16Kbps(G.722.1), 16Kbps(G.726), 32-160Kbps (MP2L2), 250Kbps(PCM)
Audio Type	Stereo
<b>Network</b>	
Simultaneous Live View	Up to 20 channels
API	ONVIF (PROFILE S, PROFILE G, PROFILE T), ISAPI, SDK
Protocols	TCP/IP, ICMP, HTTP, HTTPS, FTP, SFTP, DHCP, DNS, DDNS, RTP, RTSP, RTCP, PPPoE, NTP, UPnP, SMTP, SNMP, IGMP, 802.1X, QoS, IPv6, UDP, Bonjour, SSL/TLS
User/Host	Up to 32 users 3 levels: Administrator, Operator and User
Security	Password protection, complicated password, HTTPS encryption, 802.1X authentication (EAP-TLS, EAP-LEAP, EAP-MD5), watermark, IP address filter, basic and digest authentication for HTTP/HTTPS, WSSE and digest authentication for ONVIF, RTP/RTSP over HTTPS, control timeout settings, TLS 1.2
Network Storage	NAS (NFS, SMB/CIFS)
Client	iVMS-4200, Hik-Connect
Web Browser	Plug-in required live view: IE8+ Plug-in free live view: Chrome 57.0+, Firefox 52.0+, Safari 11+ Local service: Chrome 41.0+, Firefox 30.0+
<b>Image</b>	
Day/Night Switch	Day, Night, Auto, Schedule, Triggered by Alarm In (-S)
Picture Overlay	LOGO picture can be overlaid on video with 128 × 128 24bit bmp format
Image Enhancement	BLC, HLC, Defog, EIS, 3D DNR
Image Parameters Switch	Yes

Image Settings	<p>Rotate, saturation, brightness, contrast, sharpness, white balance adjustable by client software or web browser</p> <p>*Rotate and perimeter protection events (line crossing detection, intrusion detection, region entrance detection, region exiting detection) cannot be enabled at the same time.</p>
<b>Interface</b>	
Alarm	-S: 1 input, 1 output (max. 36 VDC, 30mA)
Audio	<p>Without -S: 2 built-in mics</p> <p>-S: 2 built-in mics, 1 line in, 1 line out</p>
RS-485	-S: 1 RS-485 interface, half duplex
On-board Storage	Built-in micro SD/SDHC/SDXC slot, up to 256 GB
Reset	Reset via reset button on camera body, web browser and client software
Communication Interface	1 RJ45 10M/100M self-adaptive Ethernet port
Heater	Yes
<b>Smart Feature-Set</b>	
Smart Event	<p>Line crossing detection, intrusion detection, region entrance detection, region exiting detection, unattended baggage detection, object removal detection</p> <p>Scene change detection, audio exception detection</p>
<b>Intelligent (Traditional Algorithm)</b>	
Basic Event	Motion detection, video tampering alarm, exception (network disconnected, IP address conflict, illegal login, HDD full, HDD error)
Linkage	Upload to FTP/NAS/memory card, send email, notify surveillance center
<b>General</b>	
Online Upgrade	Yes
Firmware Version	V5.5.94
Web Client Language	<p>32 languages</p> <p>English, Russian, Estonian, Bulgarian, Hungarian, Greek, German, Italian, Czech, Slovak, French, Polish, Dutch, Portuguese, Spanish, Romanian, Danish, Swedish, Norwegian, Finnish, Croatian, Slovenian, Serbian, Turkish, Korean, Traditional Chinese, Thai, Vietnamese, Japanese, Latvian, Lithuanian, Portuguese (Brazil)</p>
General Function	Anti- flicker, heartbeat, mirror, privacy masks
Storage Conditions	-40 °C to 60 °C (-40 °F to 140 °F). Humidity 95% or less (non-condensing)

Startup and Operating Conditions	-40° to 60°, humidity 95% or less (non-condensing)
Power Supply	12 VDC, POE (802.3af)
Power Consumption and Current	12VDC, 0.9A, max. 11 W POE: (802.3af, 36V to 57V), 0.3 A to 0.2 A, max. 11 W
Power Interface	Ø5.5 mm coaxial power plug
Material	Metal
Camera Dimension	164.3 × 84.6 × 67.4 mm (6.5" × 3.3" × 2.7")
Package Dimension	227 × 172 × 125 mm (8.9" × 6.8" × 4.9")
Camera Weight	770g (1.7 lb.)
With Package Weight	1053g (2.3 lb.)
<b>Approval</b>	
Class	Class B
Protection	Ingress protection: IP67, IK10
EMC	FCC (47 CFR Part 15, Subpart B); CE-EMC (EN 55032: 2015, EN 61000-3-2: 2014, EN 61000-3-3: 2013, EN 50130-4: 2011 +A1: 2014); RCM (AS/NZS CISPR 32: 2015); IC (ICES-003: Issue 6, 2016); KC (KN 32: 2015, KN 35: 2015)
Safety	UL (UL 60950-1); CB (IEC 60950-1:2005 + Am 1:2009 + Am 2:2013); CE-LVD (EN 60950-1:2005 + Am 1:2009 + Am 2:2013); BIS (IS 13252(Part 1):2010+A1:2013+A2:2015)
Environment	CE-RoHS (2011/65/EU); WEEE (2012/19/EU); Reach (Regulation (EC) No 1907/2006)

\* Listed resolutions are only selectable options. It does not mean that all streams can work at their maximum resolution at the same time.

## Available Model

DS-2CD6D82G0-IH (2.8/4/6 mm), DS-2CD6D82G0-IHS (2.8/4/6 mm)

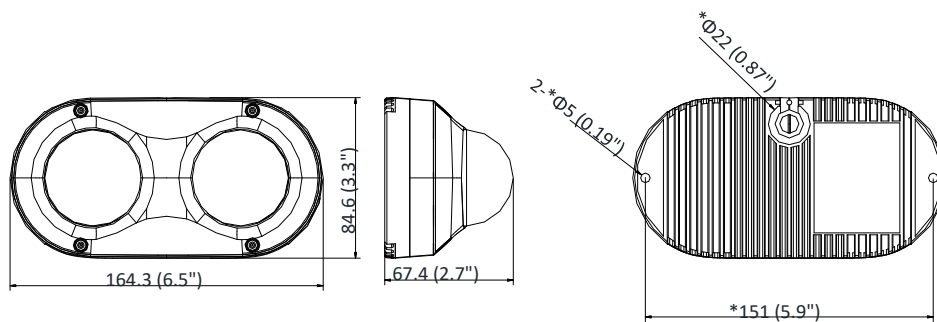
▪ **Typical Application**

Hikvision products are classified into three levels according to their anti-corrosion performance. Refer to the following description to choose for your using environment.

This model has NO SPECIFIC PROTECTION.

Level	Description
Top-level protection	Hikvision products at this level are equipped for use in areas where professional anti-corrosion protection is a must. Typical application scenarios include coastlines, docks, chemical plants, and more.
Moderate protection	Hikvision products at this level are equipped for use in areas with moderate anti-corrosion demands. Typical application scenarios include coastal areas about 2 kilometers (1.24 miles) away from coastlines, as well as areas affected by acid rain.
No specific protection	Hikvision products at this level are equipped for use in areas where no specific anti-corrosion protection is needed.



**Dimension**



Unit: mm(inch)

## Accessory

### ▪ Optional

DS-1280ZJ-DE7 Junction Box	DS-1270ZJ-DE7 Adapter Cap
	

Distributed by



## HIKVISION®

### Headquarters

No.555 Qianmo Road, Binjiang District,  
Hangzhou 310051, China  
T +86-571-8807-5998  
overseasbusiness@hikvision.com

**Hikvision USA**  
T +1-909-895-0400  
sales.usa@hikvision.com

**Hikvision Australia**  
T +61-2-8599-4233  
salesau@hikvision.com

**Hikvision India**  
T +91-22-28469900  
sales@pramahikvision.com

**Hikvision Canada**  
T +1-866-200-6690  
sales.canada@hikvision.com

**Hikvision Thailand**  
T +662-275-9949  
sales.thailand@hikvision.com

**Hikvision Europe**  
T +31-23-5542770  
sales.eu@hikvision.com

**Hikvision Italy**  
T +39-0438-6902  
info.it@hikvision.com

**Hikvision Brazil**  
T +55 11 3318-0050  
Latam.support@hikvision.com

**Hikvision Turkey**  
T +90 (216)521 7070- 7074  
sales.tr@hikvision.com

**Hikvision Malaysia**  
T +601-7652-2413  
sales.my@hikvision.com

**Hikvision UK & Ireland**  
T +01628-902140  
sales.uk@hikvision.com

**Hikvision South Africa**  
Tel: +27 (10) 0351172  
sale.africa@hikvision.com

**Hikvision France**  
T +33(0)1-85-330-450  
info.fr@hikvision.com

**Hikvision Kazakhstan**  
T +7-727-9730667  
nikia.panfilov@hikvision.ru

**Hikvision Vietnam**  
T +84-974270888  
sales.vt@hikvision.com

**Hikvision UAE**  
T +971-4-4432090  
salesme@hikvision.com

**Hikvision Singapore**  
T +65-6684-4718  
sg@hikvision.com

**Hikvision Spain**  
T +34-91-737-16-55  
info.es@hikvision.com

**Hikvision Tashkent**  
T +99-87-1238-9438  
uzb@hikvision.ru

**Hikvision Hong Kong**  
T +852-2151-1761  
info.hk@hikvision.com

**Hikvision Russia**  
T +7-495-669-67-99  
saleru@hikvision.com

**Hikvision Korea**  
T +82-(0)31-731-8817  
sales.korea@hikvision.com

**Hikvision Poland**  
T +48-22-460-01-50  
info.pl@hikvision.com

**Hikvision Indonesia**  
T +62-21-2933759  
Sales.Indonesia@hikvision.com

**Hikvision Colombia**  
sales.colombia@hikvision.com