

## DS-2CD63C5G0-I(V)S

### 12 MP Network Fisheye Camera



DS-2CD63C5G0-IVS



DS-2CD63C5G0-IS

- 1/1.7" (12 MP) Progressive Scan CMOS
- 4000 x 3000 Resolution @ 20 fps
- Up to 50 ft (15 m) IR Range
- 360° Viewing Angle
- Multiple Viewing Modes
- Multiple ePTZ Streams with Preset and Patrol
- Immervision Technology
- Ceiling, Wall, or Table Mount Modes
- Alarm and Audio Inputs and Outputs
- IP67 and IK10 Protection (-V Models Only)
- 12 VDC and PoE (802.3at), 15 W
- Built-in Heater

## IMMERSION enables® DeepinView<sup>series</sup>

The Hikvision DS-2CD63C5G0-I(V)S Network Fisheye Camera provides high definition output. It supports H.265+ video compression, which assures savings in bandwidth and storage.

The camera is capable of providing a 360° panoramic image of the surveillance environment, and supports up to 18 live view display modes. These are designed for 3 mount types and 2 decoding modes, and provide a wide range of panoramic display options.

The Fisheye camera is equipped with a 12 MP lens, and has an IR range of up to 50 ft (15 m).

In addition to the standard behavior analysis and exception detection smart features included in the other devices found in this series, these Fisheye cameras support advanced heat map and intersection analysis based on deep-learning technology.

The -V model is designed for outdoor use.

#### Available models:

DS-2CD63C5G0-IS

DS-2CD63C5G0-IVS



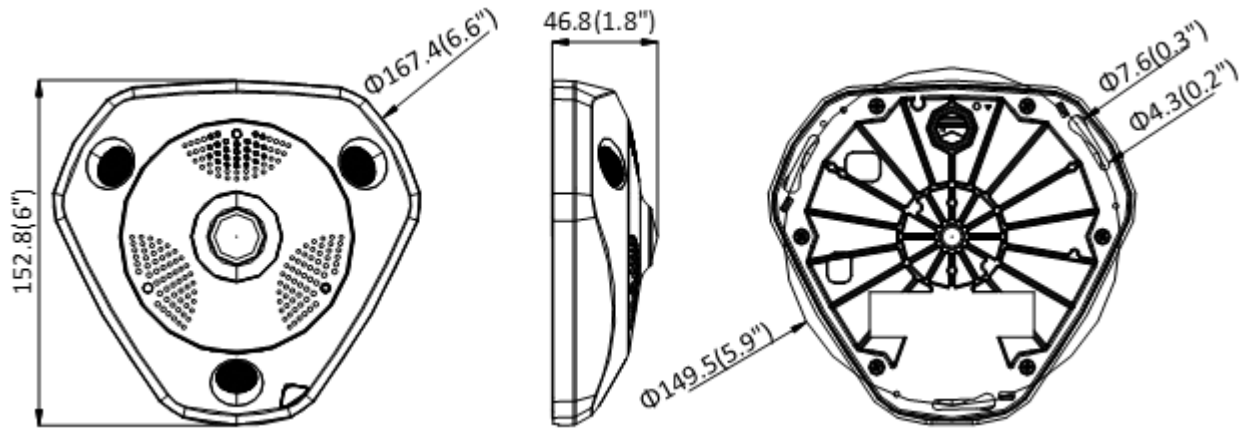
# Specifications

DS-2CD63C5G0-IS		DS-2CD63C5G0-IVS
<b>Camera</b>		
Image Sensor	1/1.7" progressive scan CMOS	
Minimum Illumination	Color: 0.05 lux @ (f/2.2, AGC on), B/W: 0.01 lux @ (f/2.2, AGC on), 0 lux with IR	
Shutter Speed	1 to 1/100,000 s	
Slow Shutter	Supported	
Lens	1.29 mm, f/2.2; horizontal field of view: 180°, vertical field of view: 180°	
Lens Mount	M12	
Day/Night	IR cut filter	
Digital Noise Reduction	3D DNR	
WDR	Digital WDR	
<b>Compression Standard</b>		
Video Compression	Main stream: H.265+/H.265/H.264+/H.264; sub stream: H.265/H.264/MJPEG	
H.264 Type	Baseline profile/main profile/high profile	
H.264+	Main stream supported	
H.265 Type	Main profile	
H.265+	Main stream supported	
Video Bit Rate	32 Kbps to 16 Mbps	
SVC	H.265 and H.264 supported	
<b>IR</b>		
IR Range	Up to 50 ft (15 m) with 3 LEDs. Each LED is controlled independently.	
Wavelength	850 nm	
<b>Image</b>		
Maximum Resolution	4000 x 3000	
Main Stream	20 fps (4000 x 3000), 30 fps (3000 x 3000, 2560 x 2560)	
Sub Stream	20 fps (720 x 720, 640 x 480)	
Image Enhancement	BLC, HLC, defog, 3D DNR	
Image Setting	Saturation, brightness, contrast, sharpness, AGC and white balance are adjustable by client software or web browser	
Day/Night Switching	Day/night/auto/schedule/triggered by alarm in	
Picture Overlay	Logo picture can be overlaid on video with 128 x 128 24-bit bmp format	
<b>Live View Display</b>		
Mount Type	Table, wall and ceiling mounts	
Decoding Mode	Hardware and software decoding	
Display Mode	Total of 18 display modes supported: Software decoding: Ceiling Mount: Fisheye View, 180° Panorama View, 360° Panorama View, 360° Panorama + PTZ, 360° Panorama + 3 PTZ, 360° Panorama + 6 PTZ, 360° Panorama + 8 PTZ, 2 PTZ, 4 PTZ, Fisheye + 3 PTZ, Fisheye + 8 PTZ, Hemisphere, AR Hemisphere, Cylinder Wall Mount: Fisheye View, Panorama View, Panorama + 3 PTZ, Panorama + 8 PTZ, 4 PTZ, Fisheye + 3 PTZ, Fisheye + 8 PTZ Table Mount: Fisheye View, 180° Panorama View, 360° Panorama View, 360° Panorama + PTZ, 360° Panorama + 3 PTZ, 360° Panorama + 6 PTZ, 360° Panorama + 8 PTZ, 4 PTZ, Fisheye + 3 PTZ, Fisheye + 8 PTZ, Cylinder Hardware Decoding: Ceiling Mount: Fisheye View, 180° Panorama View, Panorama View, 4 PTZ, Fisheye + 3 PTZ, 4 PTZ Fusion Wall Mount: Fisheye View, 180° Panorama View, Panorama View, 4 PTZ, Fisheye + 3 PTZ, 4 PTZ Fusion Table Mount: Fisheye View, 180° Panorama View, Panorama View, 4 PTZ, Fisheye + 3 PTZ, 4 PTZ Fusion	
<b>Audio</b>		
Environment Noise Filtering	Supported	
Audio Sampling Rate	8 kHz/16 kHz	
Audio Compression	G.711/G.722.1/G.726/MP2L2/PCM	
Audio Bit Rate	64 Kbps [G.711]/16 Kbps [G.722.1]/16 Kbps [G.726]/32 to 160 Kbps [MP2L2]	
<b>Smart Features</b>		
Behavior Analysis	Line crossing detection, intrusion detection, region entrance detection, region exiting detection, unattended baggage detection, object removal detection	
Exception Detection	Audio exception detection	
Intersection Analysis	Detects and analyzes flow in an intersection-like scene and generate reports. Supports one intersection of up to 10 ways.	
Heat Map	Graphic description of visits (calculated by people number or by dwell time) in a configured area. Two heat map report types are available: space heat map and time heat map line chart.	
Region of Interest	Four fixed regions for main stream and sub-stream	
<b>Network</b>		
Network Storage	Supports MicroSD/SDHC/SDXC card (256 GB), local storage and NAS (NFS,SMB/CIFS), ANR	
Alarm Trigger	Motion detection, video tampering alarm, network disconnected, IP address conflicted, illegal login, HDD full, HDD error	
Protocols	TCP/IP, ICMP, HTTP, HTTPS, FTP, DHCP, DNS, DDNS, RTP, RTSP, RTCP, PPPoE, NTP, UPnP, SMTP, SNMP, IGMP, 802.1X, QoS, IPv6, UDP, Bonjour	
Security Measures	Password protection, HTTPS encryption, IEEE 802.1x port-based network access control, IP address filter, basic and digest authentication for HTTP/HTTPS, WSSE and digest authentication for ONVIF	
General Function	One-key reset, anti-flicker, heartbeat, mirror, password protection, privacy mask, watermark, IP address filter	
Standard	ONVIF (PROFILE S, PROFILE G), ISAPI	
Simultaneous Live View	Up to 20 channels	
User/Host	Up to 32 users. 3 user levels, administrator, operator and user	
Client	iVMS-4200, Hik-Connect	
Web Browser	IE 8+, Chrome 31.0-44, Firefox 30.0-51, Safari 8.0+	
<b>Interface</b>		
Communication Interface	One RJ45 10M/100M/1000M self-adaptive Ethernet port	
Audio	Two built-in microphones, one built-in speaker, mono sound, one audio input (line in, 3.5 mm), one audio output (line out, 3.5 mm)	
Alarm	1-ch alarm input, maximum 12 V; 1-ch alarm output, maximum 24 VDC, 1 A	
On-Board Storage	Built-in microSD/SDHC/SDXC slot, up to 256 GB	
Reset Button	Yes	
<b>General</b>		
Operating Conditions	-40° to 140° F [-40° to 60° C]; humidity 95% or less [non-condensing]	
Power Supply	12 VDC ± 20%, PoE (802.3at, class 4), two-core terminal block	
Power Consumption	12 VDC, 1 A, maximum 12.5 W, PoE (802.3at, 42.5 to 57 V), 0.4 A to 0.2 A, maximum 15 W	
Protection	IP67, IK10	
Heater	Yes	
Material	Metal	
Dimensions	6.6" x 6" x 1.8" [167.4 mm x 152.8 mm x 46.8 mm]	6.6" x 6" x 2.2" [167.4 mm x 152.8 mm x 55 mm]
Weight	3.09 lbs [1.40 kg]	

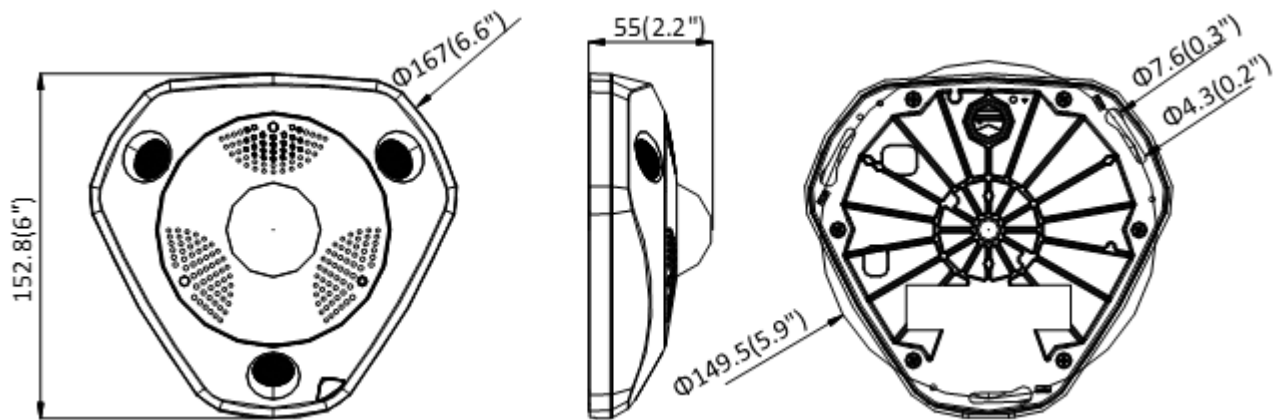
## Accessories (not included)

				
CB-FE Junction Box	AB-FE Inclined Ceiling Mount	PC-FE Pendant Cap	WML Long Wall Mount with Back Box	CPM Ceiling Pendant Mount

## Dimensions



DS-2CD63C5G0-IS



DS-2CD63C5G0-IVS

Unit: mm (inch)