

DS-2CD4D36FWD-IZ(S) 3 MP Low Light Smart Dome Camera



smart IPC

The low light smart cameras are able to capture high quality colored images in dim light environment. DS-2CD4D36FWD-IZ(S) offers high resolution, 120dB WDR, Auto-iris, PoE, Defog, EIS, 3D DNR, 6 behavior analyses, 1 exception detection, and face detection to meet a wide variety of applications.

- 1/2.8" Progressive Scan CMOS
- Auto-iris
- 2048 × 1536 @ 30fps
- Low light
- H.265, H.265+
- 120dB WDR
- IP66
- 6 behavior analyses, 1 exception detection, and face detection



Function Description

Smart

- 6 behavior analyses, 1 exception detection, and face detection
- Smart recording: Support edge recording and dual-VCA
- Smart encoding: Support low bit rate, low latency, ROI enhance encoding

Image

- 2048 × 1536 @30fps
- Support rotate mode, suitable for environment as corridor
- Support target cropping, details can be seen with low bandwidth
- Streaming smoothness setting for different requirements of image quality and fluency
- Support H.265+/H.265/H.264+/H.264/MJPEG video compression, multi-level video quality configuration; support Baseline Profile/Main Profile/High Profile H.264 encoding complexity, and Main Profile for H.265 video complexity
- Multiple OSD color: Black & white self-adaptive; Custom
- 120dB WDR is supportable for backlight environment
- Support defog, BLC, EIS, HLC

System

- Support ONVIF (profile S/profile G), CGI, PSIA, ISAPI protocol
- Support three streams, and Support 20 channels live view at the same time
- Lightning protection, surge protection, voltage transient protection, anti-static protection

Interface

- Support standard 128 GB Micro SD/SDHC/SDXC card storage
- Support 10M/100M Ethernet port
- Support Audio I/O, dual soundtrack, RS-485 (-S)
- Support Alarm I/O (-S)
- Support CVBS analog output (4CIF resolution)

Security

- Support three-level user authentication management, user and password authorization, and IP address filtering
- Support security certificate as HTTPS
- Lock user IP after certain times failed login attempts

Specifications

Camera	
Image Sensor	1/2.8" Progressive Scan CMOS
Min. Illumination	Color: 0.005 Lux @ (F1.2, AGC ON), 0.007 Lux @ (F1.4, AGC ON), 0 Lux with IR B/W: 0.0005 Lux @ (F1.2, AGC ON), 0.0007 Lux @ (F1.4, AGC ON), 0 Lux with IR
Shutter Speed	1 s to 1/100,000 s
Slow Shutter	Support
Lens	2.8 to 12 mm F1.4, horizontal angle of view 88.5° to 32.8°
Lens Mount	Ø14
Auto-iris	DC drive
Day & Night	IR Cut Filter
Digital Noise Reduction	3D DNR
WDR	120 dB
3-Axis Adjustment	Pan: 0° to 355°, tilt: 0° to 70°, rotate: 0° to 355°
Compression Standard	
Video Compression	Main stream: H.265/H.264 Sub-stream: H.265/H.264/MJPEG Third stream: H.265/H.264/MJPEG
H.264 Type	Baseline Profile/Main Profile/High Profile
H.264+	Support
H.265 Type	Main Profile
H.265+	Support
Video Bit Rate	32 Kbps to 16 Mbps
Audio Compression	G.711/G.722.1/G.726/MP2L2/PCM
Audio Bit Rate	64Kbps (G.711)/16Kbps (G.722.1)/16Kbps (G.726)/32-192Kbps (MP2L2)
Image	
Max. Resolution	2048 × 1536
Main Stream	50Hz: 25fps (2048 × 1536, 1920 × 1080, 1280 × 960, 1280 × 720) 60Hz: 30fps (2048 × 1536, 1920 × 1080, 1280 × 960, 1280 × 720)
Sub Stream	50Hz: 25fps (704 × 576, 640 × 480, 352 × 288, 320 × 240) 60Hz: 30fps (704 × 480, 640 × 480, 352 × 240, 320 × 240)
Third Stream	50Hz: 25fps (1920 × 1080, 1280 × 960, 1280 × 720, 704 × 576, 640 × 480, 352 × 288, 320 × 240) 60Hz: 30fps (1920 × 1080, 1280 × 960, 1280 × 720, 704 × 480, 640 × 480, 352 × 240, 320 × 240)
Image Enhancement	BLC/3D DNR/Defog/EIS/HLC
Image Setting	Rotate mode, saturation, brightness, contrast, sharpness adjustable by client software or web browser
Region of Interest	Support four fixed region for each stream, and dynamic face tracking
Target Cropping	Support
Day/Night Switch	Auto/Schedule/Triggered by Alarm In (-S)
Picture Overlay	LOGO picture can be overlaid on video with 128 × 128 24bit bmp format
Network	
Network Storage	Support Micro SD/SDHC/SDXC card (128G), local storage and NAS (NFS/SMB/CIFS), ANR
Alarm Trigger	Motion detection, video tampering alarm, network disconnected, IP address conflict, illegal login, HDD full, HDD error
Protocols	TCP/IP, ICMP, HTTP, HTTPS, FTP, DHCP, DNS, DDNS, RTP, RTSP, RTCP, PPPoE, NTP, UPnP, SMTP, SNMP, IGMP, 802.1X, QoS, IPv6, UDP, Bonjour

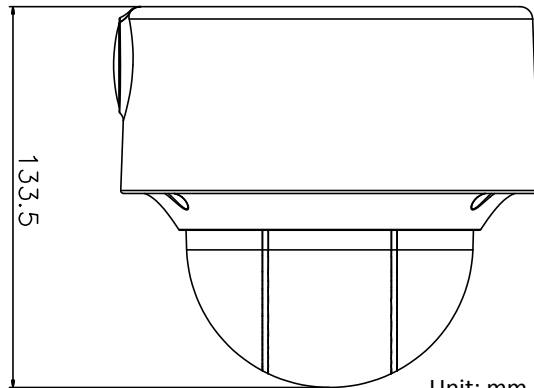
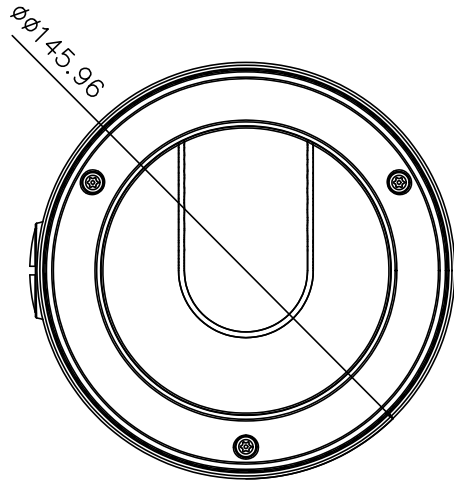
General Function	One-key reset, anti-flicker, three streams, heartbeat, password protection, privacy mask, watermark, IP address filter
Standard	ONVIF (PROFILE S, PROFILE G), PSIA, CGI, ISAPI
Interface	
Audio	With –S model: 1 input (line in), 1 output, dual-track
Communication Interface	1 RJ45 10M/100M Ethernet port; with –S model: 1 RS-485 interface
Alarm	With –S model: 2 inputs, 2 outputs (up to 24 VDC 1 A or 110 VAC 500mA)
Video Output	1Vp-p composite output (75 Ω/BNC)
On-board storage	Built-in micro SD/SDHC/SDXC slot, up to 128 GB
Reset Button	Yes
Audio	
Environment Noise Filtering	Support
Audio I/O	Support
Audio Sampling Rate	Max. 48 kHz
Smart Feature-set	
Behavior Analysis	Line crossing detection, intrusion detection, region entrance detection, region exiting detection, unattended baggage detection, object removal detection
Line Crossing Detection	Cross a pre-defined virtual line, up to 4 pre-defined virtual lines supported
Intrusion Detection	Enter and loiter in a pre-defined virtual region, up to 4 pre-defined virtual regions supported
Region Entrance Detection	Enter a pre-defined virtual region from the outside place
Region Exit Detection	Exit from a pre-defined virtual region
Object Removal Detection	Objects removed from the pre-defined region, such as the exhibits on display.
Unattended Baggage Detection	Objects left over in the pre-defined region such as the baggage, purse, dangerous materials
Exception Detection	Scene change detection
Face Detection	Human face appears in the image can be detected and trigger linkage method
General	
Operating Conditions	-30 °C to 60 °C (-22 °F to 140 °F), Humidity 95% or less (non-condensing)
Power Supply	12 VDC ± 20%, PoE (802.3af, class 3) Terminal block for DC input
Power Consumption and Current	12 VDC ± 20%: max. 9W/0.75A PoE (802.3af): max. 10W/0.21A
IR Range	10 m to 30 m
Protection Level	IP66
Dimensions	Φ145.96 × 133.5 mm (Φ5.75" × 5.26")
Weight	1200 g (2.65 lb.)

Available Models:

DS-2CD4D36FWD-IZ; DS-2CD4D36FWD-IZS

*-S: with 1 audio input (line in), 1 audio output, 1 RS-485, 2 alarm inputs and 2 alarm outputs

Dimensions



Unit: mm

Accessories



DS-1273ZJ-DM32
Wall Mount



DS-1271ZJ-DM32
Pendant Mount



DS-1275ZJ
Vertical Pole Mount



DS-1276ZJ
Corner Mount

Distributed by



HIKVISION

Headquarters

No.555 Qianmo Road, Binjiang District,
Hangzhou 310051, China
T +86-571-8807-5998
overseasbusiness@hikvision.com

Hikvision USA
T +1-909-895-0400
sales.usa@hikvision.com

Hikvision Europe
T +31-23-55-42-770
info.eu@hikvision.com

Hikvision Middle East
T +971-4-8816086
salesme@hikvision.com

Hikvision Russia
T +7-495-669-67-99
saleru@hikvision.com

Hikvision India
T +91-22-28469900
sales@pramahikvision.com

Hikvision Italy
T +39-0438-6902
info.it@hikvision.com

Hikvision France
T +33(0)1-85-330-450
info.fr@hikvision.com

Hikvision Spain
T +34-91-737-16-55
info.es@hikvision.com

Hikvision Poland
T +48-22-460-01-50
poland@hikvision.com

Hikvision UK
T +01628-902140
support.uk@hikvision.com

Hikvision Singapore
T +65-6684-4718
sg@hikvision.com

Hikvision Oceania
T +61-2-8599-4233
salesau@hikvision.com

Hikvision Canada
T +1-909-895-0400
sales.usa@hikvision.com

Hikvision Korea
T +82-31-731-8841
sales.korea@hikvision.com

Hikvision Brazil
T +55 11 3318-0050
Latam.support@hikvision.com

Hikvision Africa
T +27 (10) 0351172
sale.africa@hikvision.com

Hikvision Hong Kong
T +852-2151-1761