

DS-2CD1H43G0-IZ 4 MP Varifocal Turret Network Camera



- High quality imaging with 4 MP resolution
- Efficient H.265+ compression technology
- Clear imaging even with strong back lighting due to 120 dB WDR
- Up to 256 GB SD card slot for storage
- 2.8 to 12 mm motorized varifocal lens for easy installation and monitoring
- Water and dust resistant (IP67)
- EXIR 2.0: advanced infrared technology with long IR range



▪ Specification

| Camera | |
|-----------------------------|--|
| Image Sensor | 1/3" Progressive Scan CMOS |
| Max. Resolution | 2560 × 1440 |
| Min. Illumination | Color: 0.005 Lux @(F1.6, AGC ON), B/W: 0 Lux with IR |
| Shutter Speed | 1/3 s to 1/100,000 s |
| Wide Dynamic Range | 120 dB |
| Day & Night | IR Cut Filter |
| Angle Adjustment | Pan: 0° to 355°, tilt: 0° to 70°, rotation: 0° to 355° |
| Lens | |
| Lens Type | Varifocal Lens, motoried lens, 2.8 to 12 mm |
| Focal Length & FOV | 2.8 to 12 mm: horizontal FOV 102° to 31°, vertical FOV 54° to 17°, diagonal FOV 123° to 35° |
| Lens Mount | Ø14 |
| Iris Type | Fixed |
| Aperture | F1.6 |
| Illuminator | |
| IR Wavelength | 850 nm |
| IR Range | Up to 30 m |
| Video | |
| Main Stream | 50 Hz: 20 fps (2560 × 1440) 25 fps (2304 × 1296, 1920 × 1080, 1280 × 720) 60 Hz: 20 fps (2560 × 1440) 30 fps (2304 × 1296, 1920 × 1080, 1280 × 720) |
| Sub-Stream | 50 Hz: 25 fps (1280 × 720, 640 × 480, 640 × 360) 60 Hz: 30 fps (1280 × 720, 640 × 480, 640 × 360) |
| Video Compression | Main stream: H.265+/H.265/H.264+/H.264 Sub-stream: H.265/H.264/MJPEG |
| Video Bit Rate | 32 Kbps to 8 Mbps |
| H.264 Type | Baseline Profile/Main Profile/High Profile |
| H.265 Type | Main Profile |
| Region of Interest (ROI) | 1 fixed region for main stream |
| Audio | |
| Audio Compression | -S: G.711ulaw/G.711alaw/G.722.1/G.726/MP2L2/PCM/AAC |
| Audio Bit Rate | -S: 64 Kbps (G.711)/16 Kbps (G.722.1)/16 Kbps (G.726)/32 to 160 Kbps (MP2L2)/16 to 64 Kbps (AAC) |
| Audio Sampling Rate | -S: 8 kHz/16 kHz |
| Environment Noise Filtering | -S: Yes |
| Network | |
| Protocols | TCP/IP, ICMP, HTTP, HTTPS, FTP, DHCP, DNS, DDNS, RTP, RTSP, RTCP, NTP, UPnP™, SMTP, IGMP, 802.1X, QoS, IPv6, Bonjour, IPv4, UDP, SSL/TLS |
| Simultaneous Live View | Up to 6 channels |
| API | Open Network Video Interface, ISAPI |
| User/Host | Up to 32 users. 3 levels: administrator, operator and user |

| | |
|----------------------------------|---|
| Client | iVMS-4200, Hik-Connect |
| Web Browser | Plug-in required live view: IE 10+ Plug-in free live view: Chrome 57.0+, Firefox 52.0+ Local service: Chrome 57.0+, Firefox 52.0+ |
| Image | |
| Image Settings | Saturation, brightness, contrast, sharpness, AGC, white balance adjustable by client software or web browser |
| Day/Night Switch | Auto, Schedule, Day, Night |
| Image Enhancement | BLC, 3D DNR |
| Interface | |
| Ethernet Interface | 1 RJ45 10 M/100 M self-adaptive Ethernet port |
| On-Board Storage | Built-in memory card slot, support microSD card, up to 256 GB |
| Audio | -S: 1 input (line in), two-core terminal block, max. input amplitude: 3.3 Vpp, input impedance: 4.7 K Ω , interface type: non-equilibrium 1 output (line out), two-core terminal block, max. output amplitude: 3.3 Vpp, output impedance: 100 Ω , interface type: non-equilibrium |
| Alarm | -S: 1 input, 1 output, max. 12 VDC, 30 mA |
| Reset Key | Yes |
| Event | |
| Basic Event | Motion detection, video tampering alarm, exception |
| Linkage | Upload to FTP, notify surveillance center, send email, upload to memory card, trigger recording, trigger capture |
| General | |
| Power | 12 VDC \pm 25%, 0.75 A, max. 9 W, \varnothing 5.5 mm coaxial power plug PoE: 802.3af, Class 3, 36 V to 57 V, 0.27 A to 0.17 A, max. 10 W |
| Camera Material | Cover: plastic, main body: metal |
| Camera Dimension | \varnothing 129.4 mm \times 116.4 mm (\varnothing 5.1" \times 4.6") |
| Package Dimension | 170 mm \times 170 mm \times 150 mm (6.7" \times 6.7" \times 5.9") |
| Camera Weight | Approx. 560 g (1.2 lb.) |
| With Package Weight | Approx. 850 g (1.9 lb.) |
| Storage Conditions | -30 $^{\circ}$ C to 60 $^{\circ}$ C (22 $^{\circ}$ F to +140 $^{\circ}$ F). Humidity 95% or less (non-condensing) |
| Startup and Operating Conditions | -30 $^{\circ}$ C to 60 $^{\circ}$ C (22 $^{\circ}$ F to +140 $^{\circ}$ F). Humidity 95% or less (non-condensing) |
| Language | English, Ukrainian |
| General Function | Anti-flicker, heartbeat, mirror, password protection, privacy mask, watermark, IP address filter |
| Approval | |
| EMC | FCC SDoC (47 CFR Part 15, Subpart B); CE-EMC (EN 55032: 2015, EN 61000-3-2: 2014, EN 61000-3-3: 2013, EN 50130-4: 2011 +A1: 2014); RCM (AS/NZS CISPR 32: 2015); IC VoC (ICES-003: Issue 6, 2016); KC (KN 32: 2015, KN 35: 2015) |

| | |
|------------------------------|---|
| Safety | UL (UL 60950-1); CB (IEC 60950-1:2005 + Am 1:2009 + Am 2:2013, IEC 62368-1:2014); CE-LVD (EN 60950-1:2005 + Am 1:2009 + Am 2:2013, IEC 62368-1:2014); BIS (IS 13252(Part 1):2010+A1:2013+A2:2015) |
| Environment | CE-RoHS (2011/65/EU); WEEE (2012/19/EU); Reach (Regulation (EC) No 1907/2006) |
| Electrical Safety Protection | IP67 (IEC 60529-2013) |

▪ Available Model

DS-2CD1H43G0-IZ (2.8 to 12 mm)

DS-2CD1H43G0-IZS (2.8 to 12 mm)

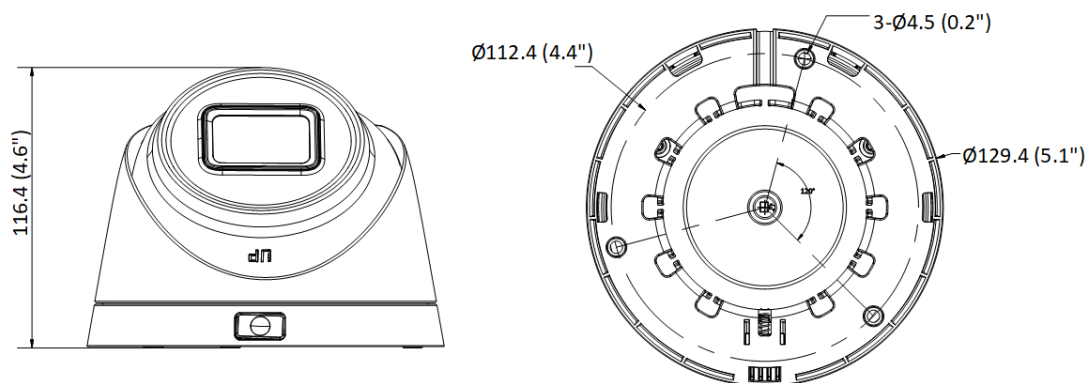
Typical Application

Hikvision products are classified into three levels according to their anti-corrosion performance. Refer to the following description to choose for your using environment.

This model has NO SPECIFIC PROTECTION.

| Level | Description |
|------------------------|--|
| Top-level protection | Hikvision products at this level are equipped for use in areas where professional anti-corrosion protection is a must. Typical application scenarios include coastlines, docks, chemical plants, and more. |
| Moderate protection | Hikvision products at this level are equipped for use in areas with moderate anti-corrosion demands. Typical application scenarios include coastal areas about 2 kilometers (1.24 miles) away from coastlines, as well as areas affected by acid rain. |
| No specific protection | Hikvision products at this level are equipped for use in areas where no specific anti-corrosion protection is needed. |

▪ Dimension



Unit: mm (inch)

▪ Accessory

▪ Optional

| DS-1273ZJ-130-TRL Wall mount | DS-1275ZJ-SUS Vertical pole mount | DS-1276ZJ-SUS Corner mount | DS-1271ZJ-130-TRL Pendant Mount | DS-1281ZJ-M Inclined ceiling mount |
|--|--|---|---|---|
|  |  |  |  |  |
| DS-1273ZJ-130B-TRL Wall Mount | DS-1280ZJ-M Junction Box | | | |
|  |  | | | |

Distributed by



HIKVISION®

Headquarters

No.555 Qianmo Road, Binjiang District,
Hangzhou 310051, China
T +86-571-8807-5998
overseasbusiness@hikvision.com

Hikvision USA
T +1-909-895-0400
sales.usa@hikvision.com

Hikvision Australia
T +61-2-8599-4233
salesau@hikvision.com

Hikvision India
T +91-22-28469900
sales@pramahikvision.com

Hikvision Canada
T +1-866-200-6690
sales.canada@hikvision.com

Hikvision Thailand
T +662-275-9949
sales.thailand@hikvision.com

Hikvision Europe
T +31-23-5542770
sales.eu@hikvision.com

Hikvision Italy
T +39-0438-6902
info.it@hikvision.com

Hikvision Brazil
T +55 11 3318-0050
Latam.support@hikvision.com

Hikvision Turkey
T +90 [216]521 7070- 7074
sales.tr@hikvision.com

Hikvision Malaysia
T +601-7652-2413
sales.my@hikvision.com

Hikvision UK & Ireland
T +01628-902140
sales.uk@hikvision.com

Hikvision South Africa
Tel: +27 (10) 0351172
sale.africa@hikvision.com

Hikvision France
T +33(0)1-85-330-450
info.fr@hikvision.com

Hikvision Kazakhstan
T +7-727-9730667
nikia.panfilov@hikvision.ru

Hikvision Vietnam
T +84-974270888
sales.vt@hikvision.com

Hikvision UAE
T +971-4-4432090
salesme@hikvision.com

Hikvision Singapore
T +65-6684-4718
sg@hikvision.com

Hikvision Spain
T +34-91-737-16-55
info.es@hikvision.com

Hikvision Tashkent
T +99-87-1238-9438
uzb@hikvision.ru

Hikvision Hong Kong
T +852-2151-1761
info.hk@hikvision.com

Hikvision Russia
T +7-495-669-67-99
saleru@hikvision.com

Hikvision Korea
T +82-(0)31-731-8817
sales.korea@hikvision.com

Hikvision Poland
T +48-22-460-01-50
info.pl@hikvision.com

Hikvision Indonesia
T +62-21-2933759
Sales.Indonesia@hikvision.com

Hikvision Colombia
sales.colombia@hikvision.com