

Product Information

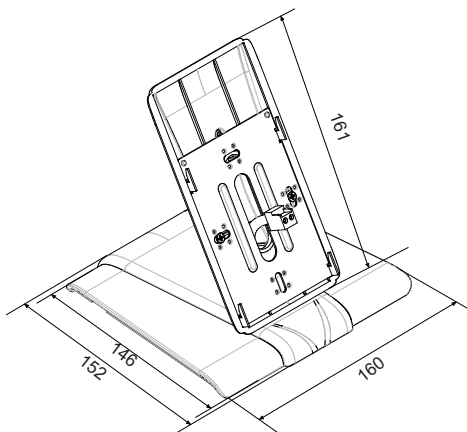
Monitor Desktop Bracket



DESCRIPTION

Desktop bracket

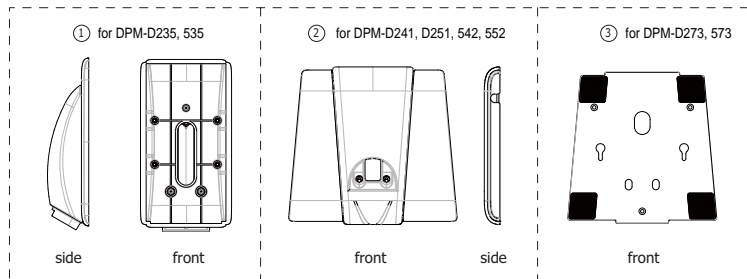
DIMENSION



FEATURES

- ▶ Allows desk mounting for monitor;
 - ▶ Monitor is propped up for easier viewing
-

1. Parts and Functions



The Monitor Desk Stand consists of 3 parts which are listed above :

1. Plastic bracket: it is used to support the monitor
2. Plastic base: it is used to hold the plastic bracket
3. Metal base: it adheres to the bottom of Plastic base and works to stabilize the whole Desk Stand

2. Unit Mounting

Step 1

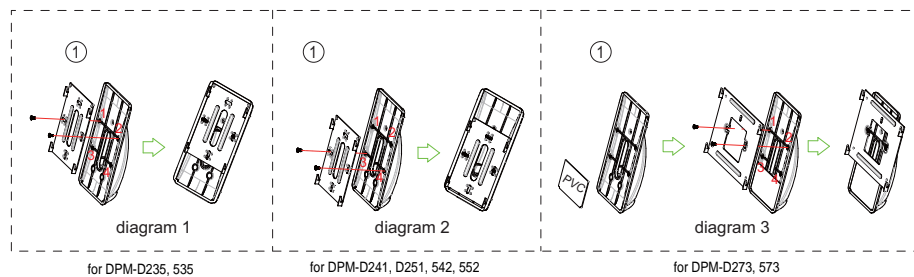
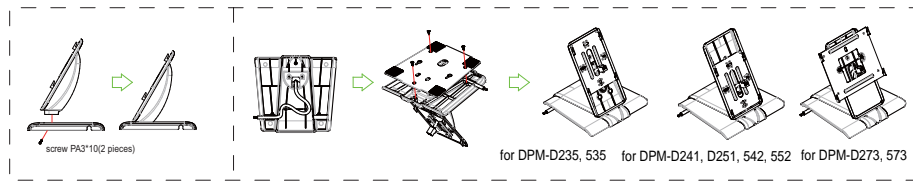


Diagram1: Use 2 pieces of KM3*6 screws to fix the the mounting bracket to the hole1&hole2 which are on the top of the plastic bracket.

Diagram2: Use 2 pieces of KM3*6 screws to fix the the mounting bracket to the hole3&hole4 which are on the below of the plastic bracket.

Diagram3: First, put the PVC plate to the plastic bracket, then use 2 pieces of KM3*6 screws to fix the the mounting bracket to the hole1&hole2 which are on the top of the plastic bracket.



Step2:use self-tapping screw PA3*10 to fix the plastic bracket.

Step3:put the connection cable correctly(refer to the diagram of the above), then use self-tapping screw KA3*8 to fix the metal base.