

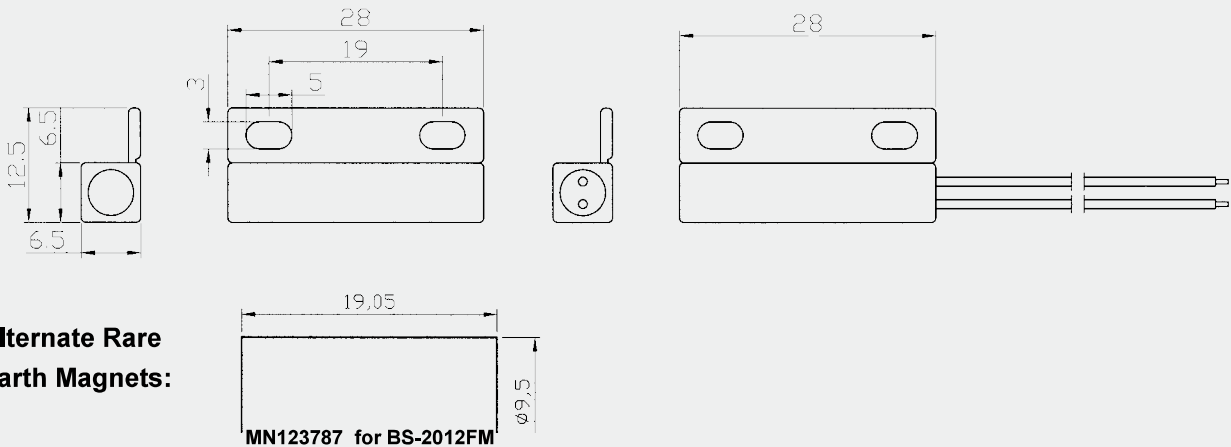
Specification: **BS-2012**

- * Mini Stick-on contact with flange
- * Side leads with #24AWG 18" length
- * Adhesive and screw mount included
- * Speical leads on request
- * Switches or magnets available seperately
- * Resistor, Diode and Supervisory Loop available on request
- * Colors: White, Brown, Grey

... Surface Mounted



Dimension (mm):



Order Information:

| Part Number | Loop Type | Reed Form | Closed Gap [Inch(mm)] (Ohm) | Depature Gap [Inch(mm)] (W) | Maximum Initial Contact Resistance (VDC/VAC) | Maximum Contact Rating (A) | Maximum Switching Voltage | Maximum Switching Current |
|-------------|---------------|-----------|-----------------------------|-----------------------------|--|----------------------------|---------------------------|---------------------------|
| BS-2012 | Closed | N/O | 1 (24) | 1.15 (29) | 0.150 | 10 | 100 | 0.5 |
| BS-2012FM | Closed | N/O | 1 (25) | 1.1 (28) | 0.150 | 10 | 100 | 0.5 |
| BS-2012A | Open | N/C | 3/4 (19) | | 0.150 | 3 | 30 | 0.2 |
| BS-2012C | Closed & Open | SPDT | 3/4 (19) | | 0.150 | 3 | 30 | 0.2 |

